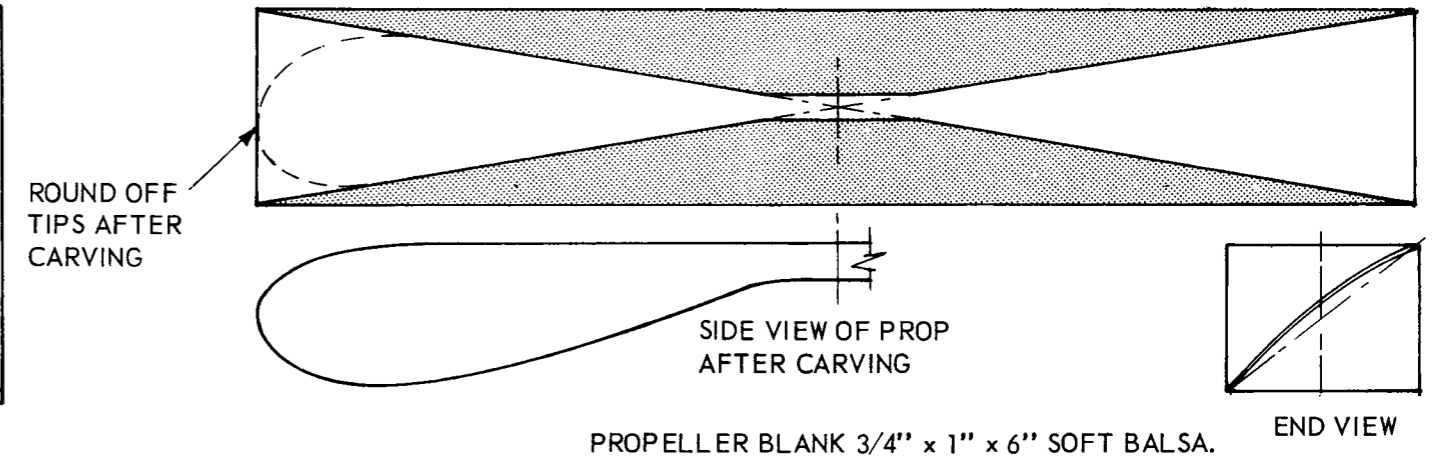
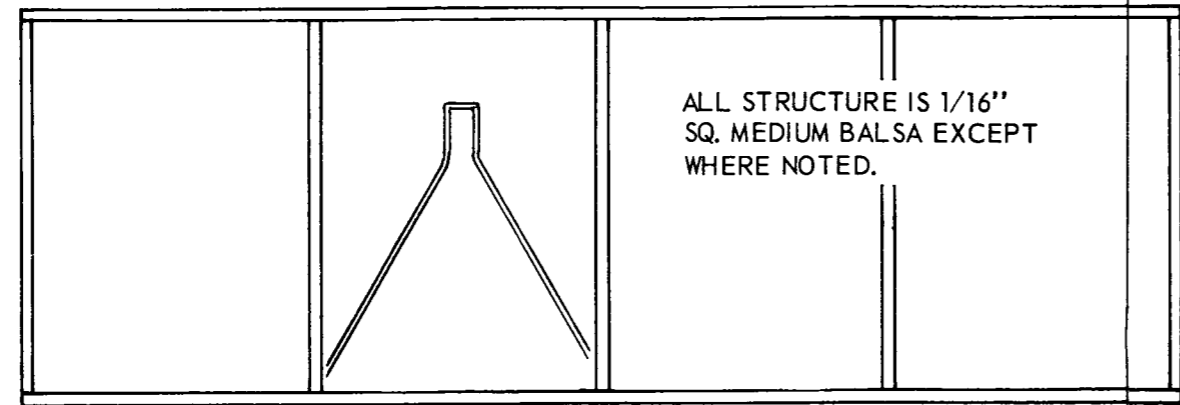
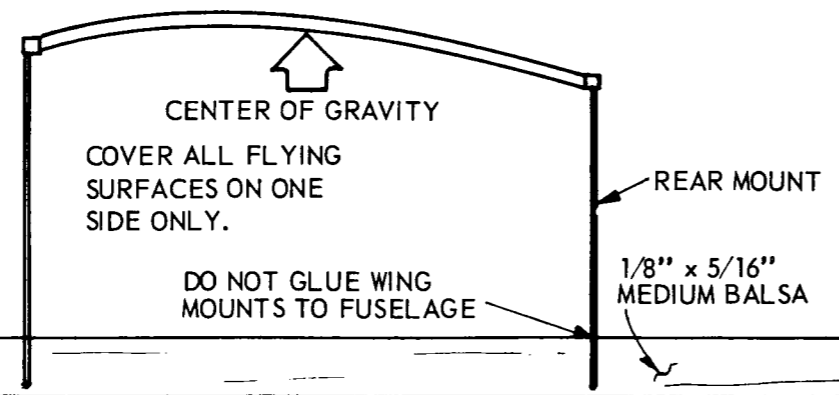
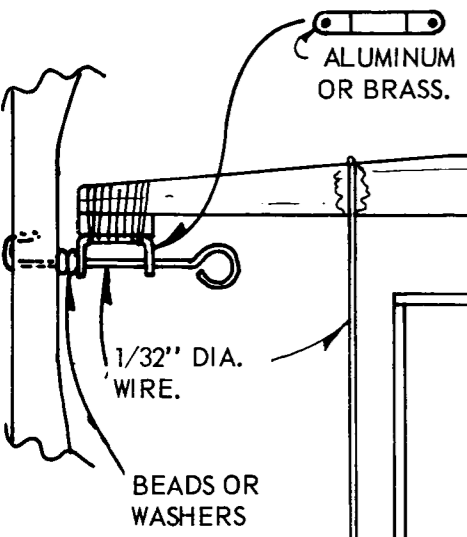
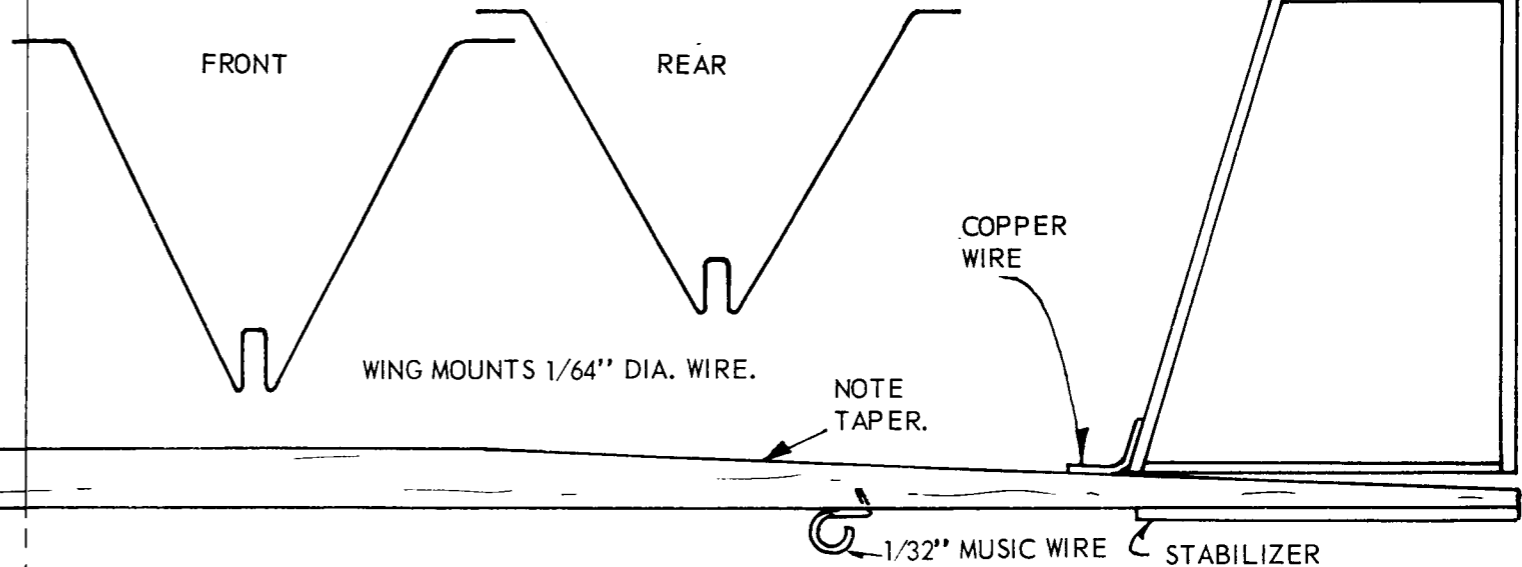
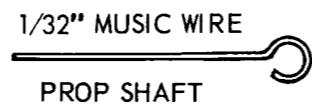
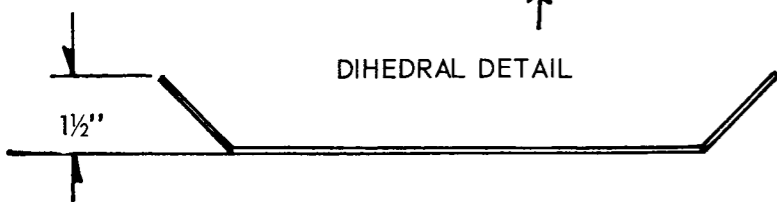
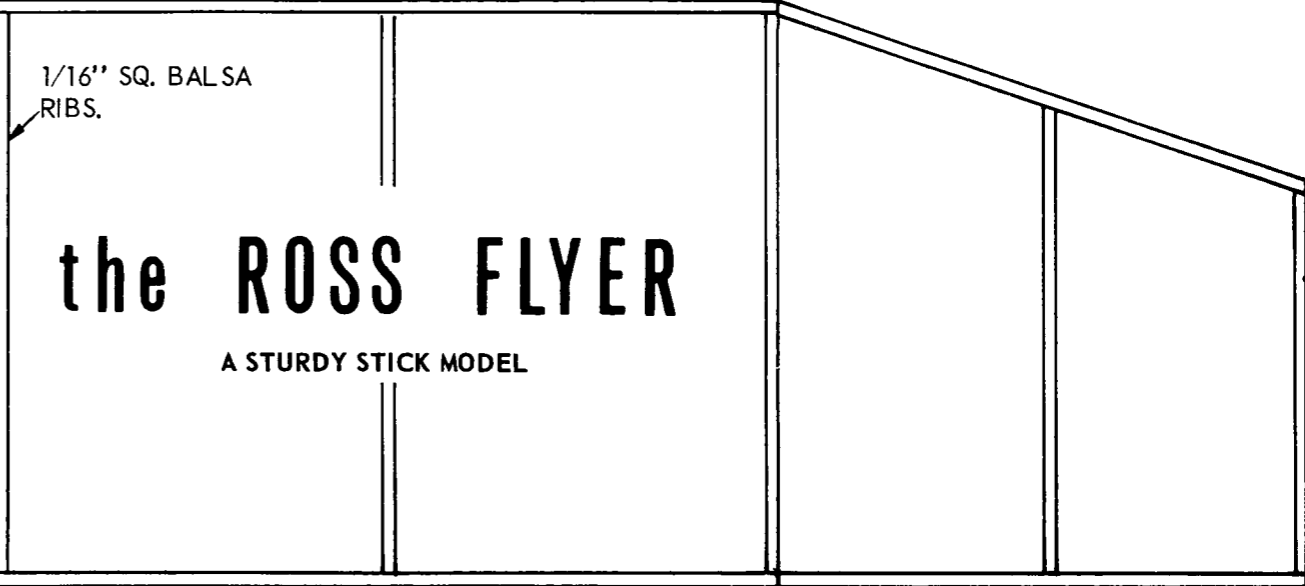
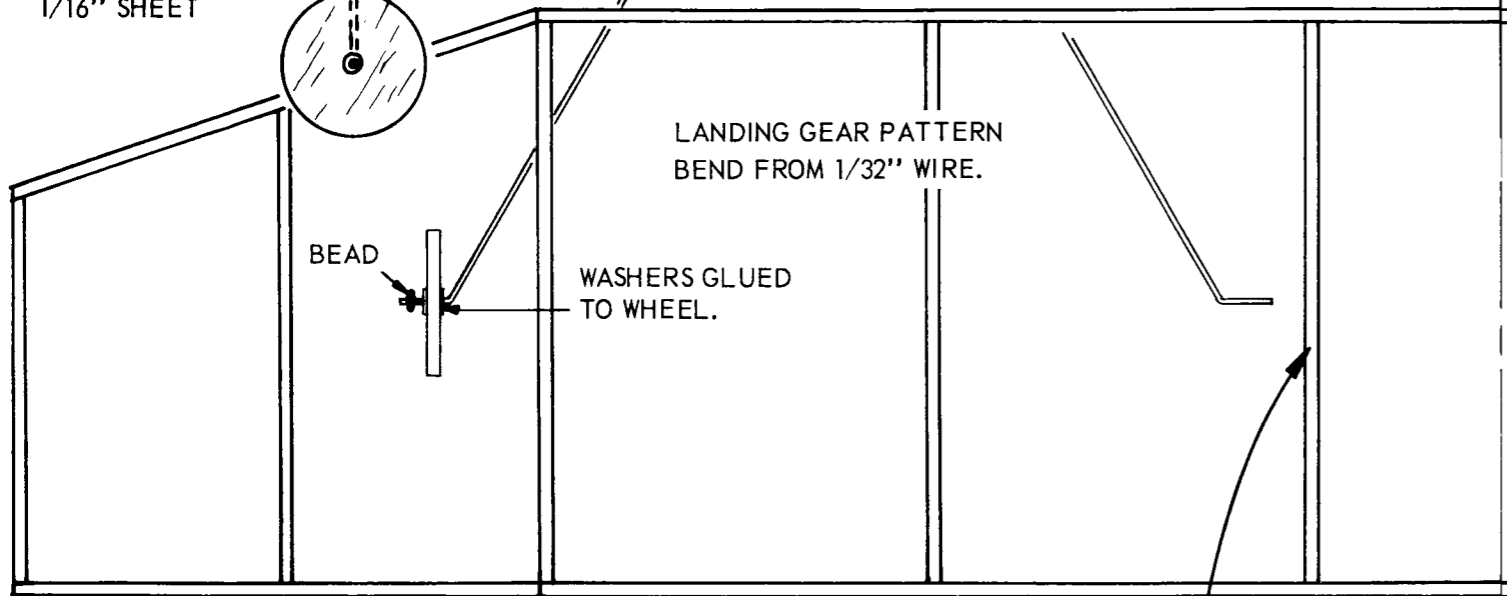


MOTOR:
 SIG 1/24" POWER STRIP OR
 1/8" FLAT RUBBER, 1/2 TIMES
 AS LONG AS DISTANCE BETWEEN
 HOOKS.



WHEELS FROM 1/16" SHEET



DESIGNED & DRAWN BY
 CLARK ROSS