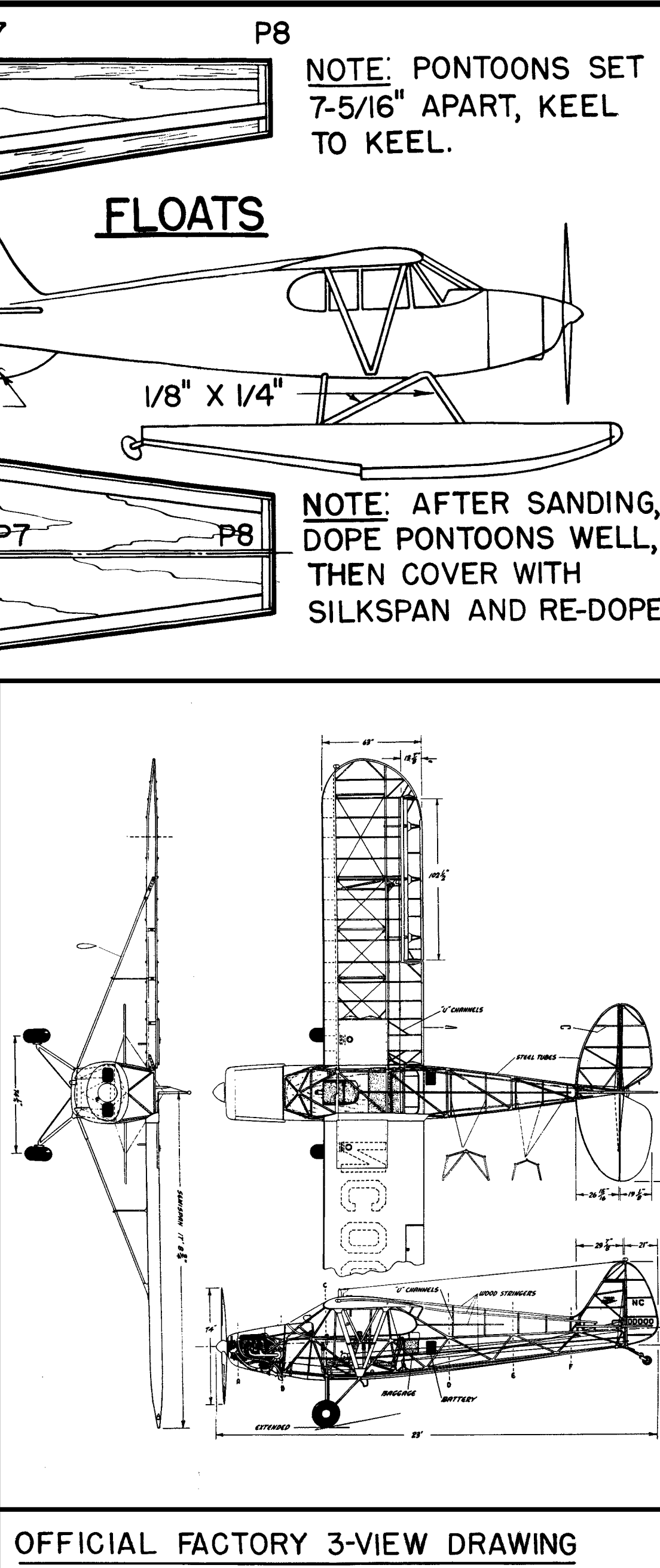
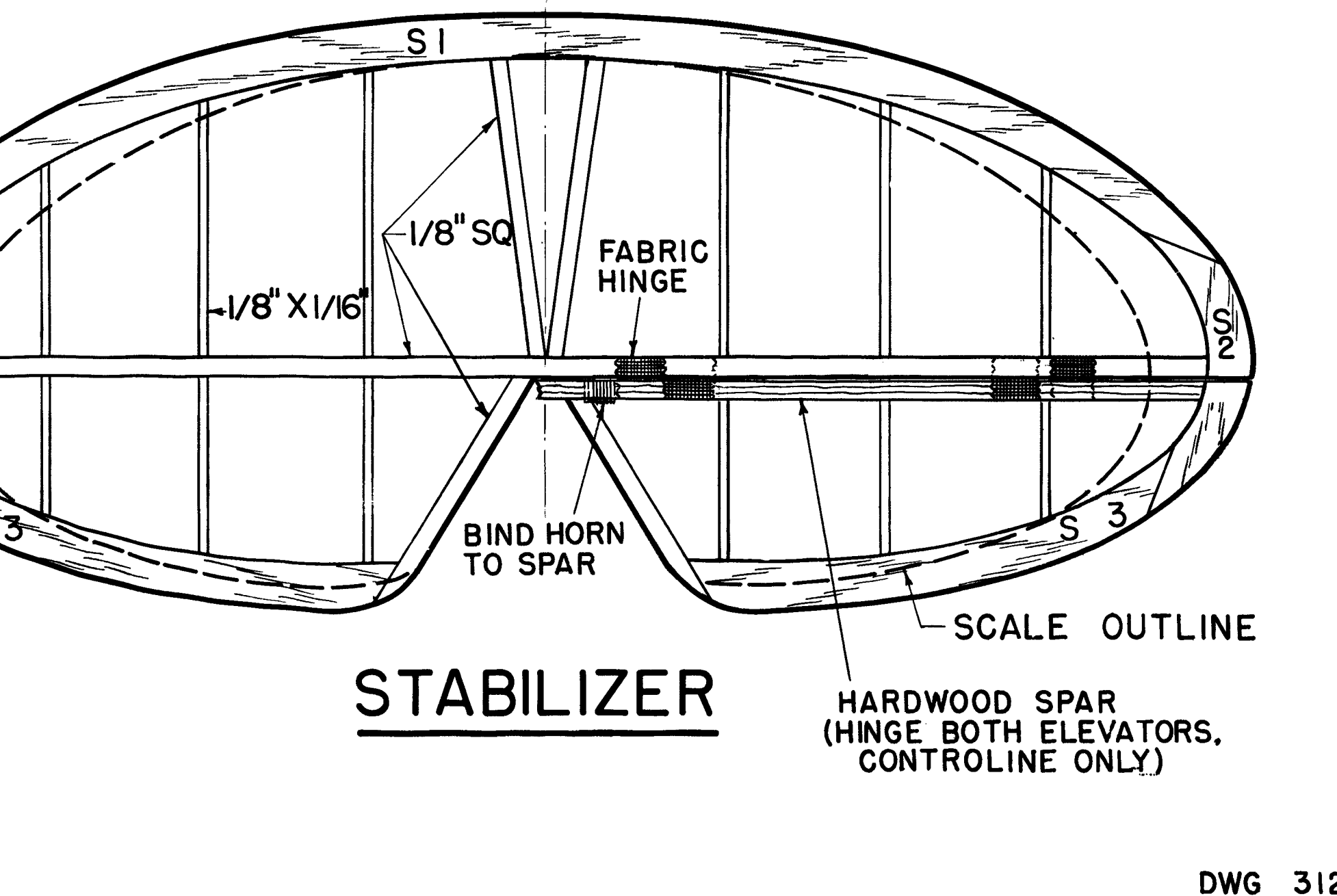


SPECIFICATIONS

	FULL SCALE	MODEL
ENGINE	100 HP. CONT.	12-16 STRANDS 3/16 FLAT RUBBER
WINGSPAN	35-1/2"	35-1/2"
WING AREA	170 SQ. FT.	170 SQ. IN.
GROSS WEIGHT	1750 POUNDS	4-1/2 OZ.
STANDARD PAINT SCHEME	TENNESSEE RED & CUB CREAM	



INSTRUCTIONS FOR BUILDING AND FLYING

GENERAL INFORMATION: This model is a reproduction of the Piper Super Cruiser... (Detailed instructions for building and flying follow, including material requirements and assembly steps.)

PIPER SUPER CRUISER

FLYING SCALE SCALE: 1"-1"

SPAN - 35-1/2" WGT. - 4-1/2 OZ.

KIT ENGINEERED BY BILL EFFINGER

COPYRIGHT 1955 REPRODUCTION FOR RESALE FORBIDDEN

BERKELEY MODELS INC.,
WEST HEMPSTEAD, NEW YORK, U.S.A.

