

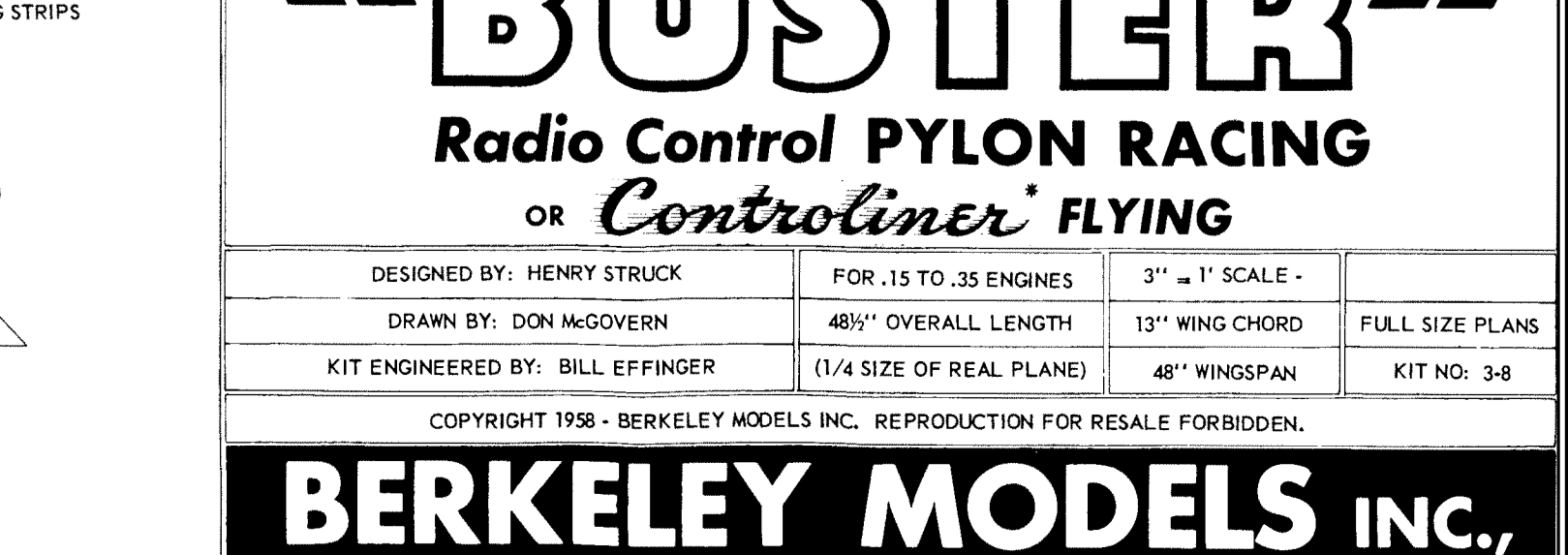
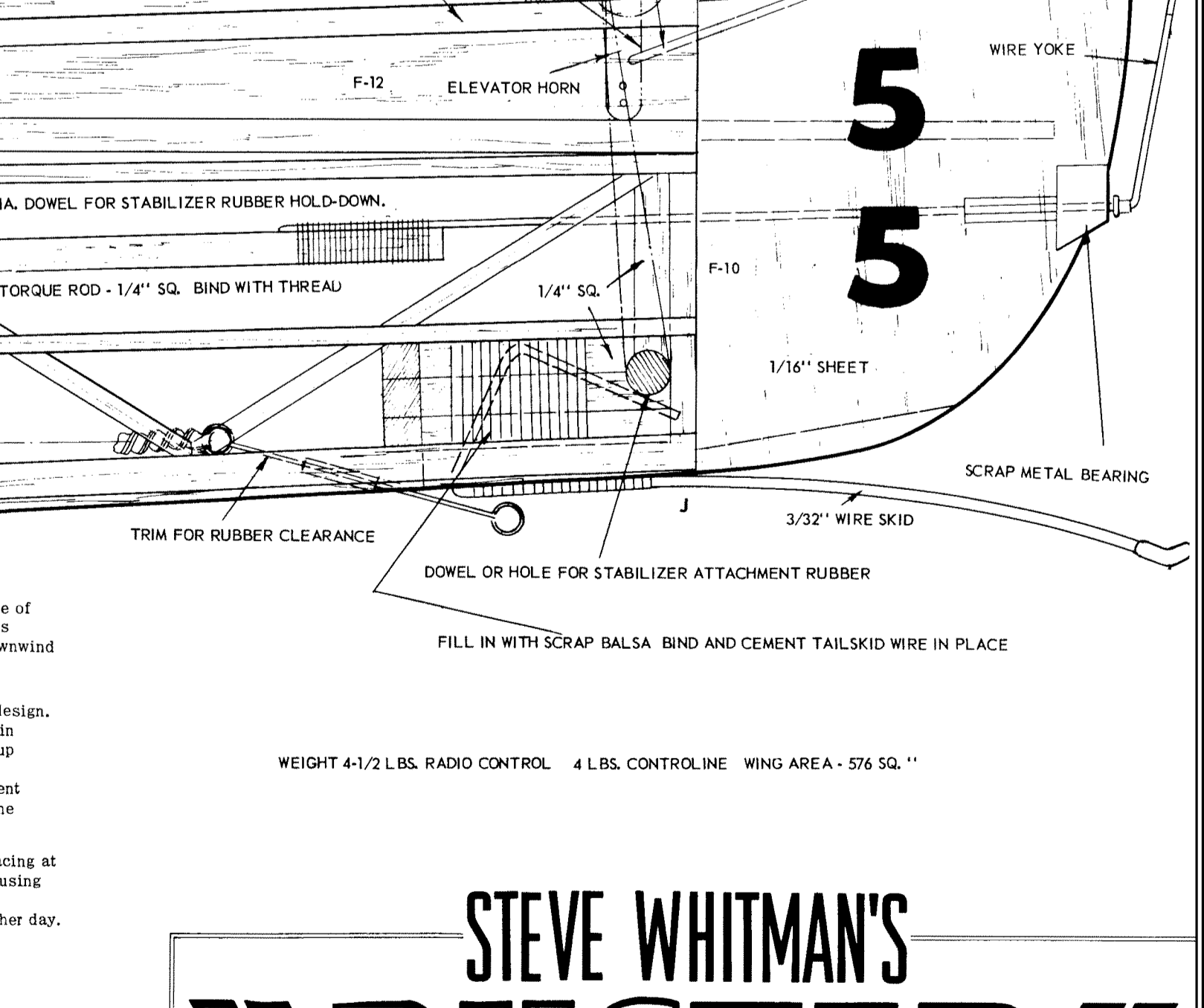
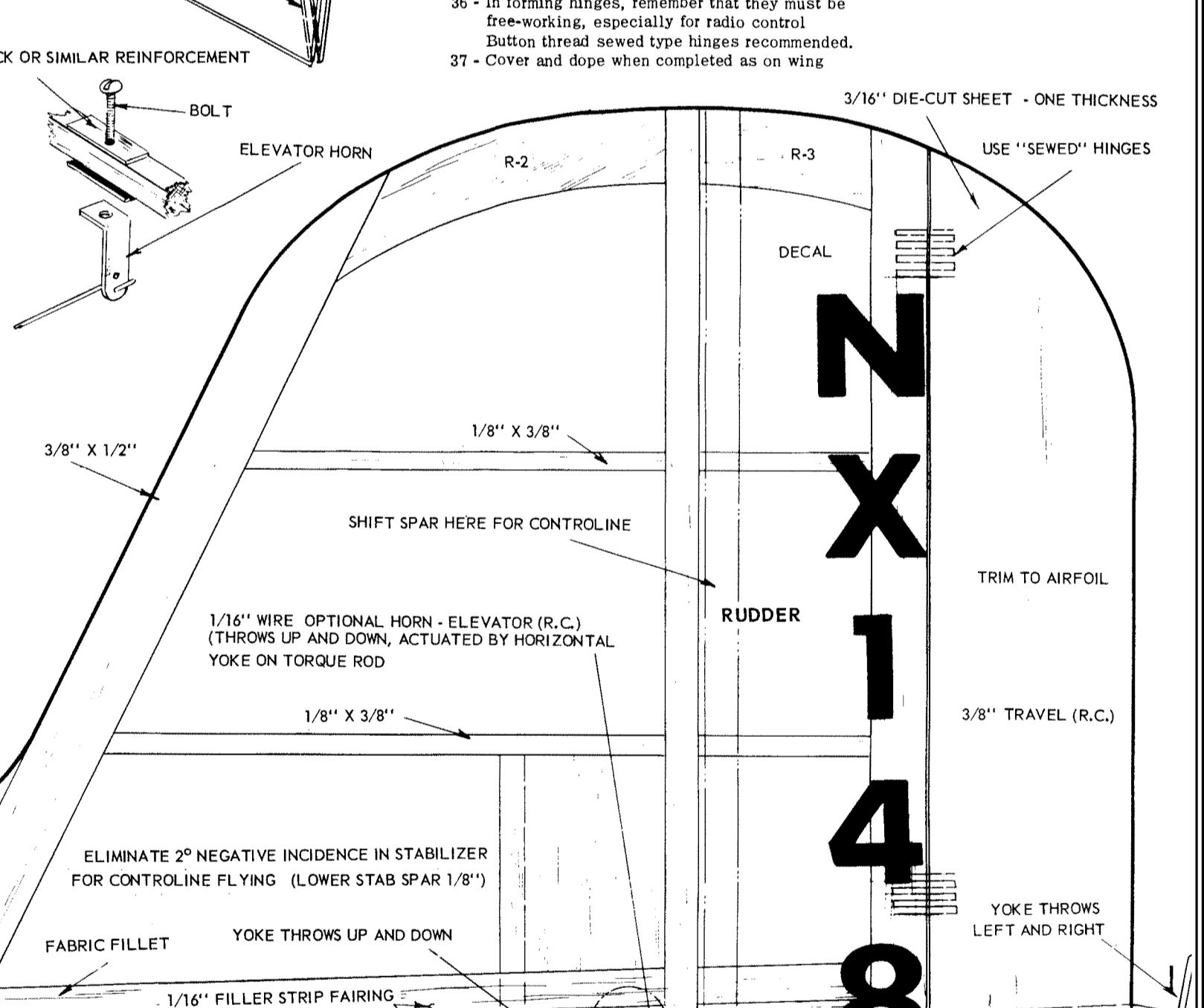
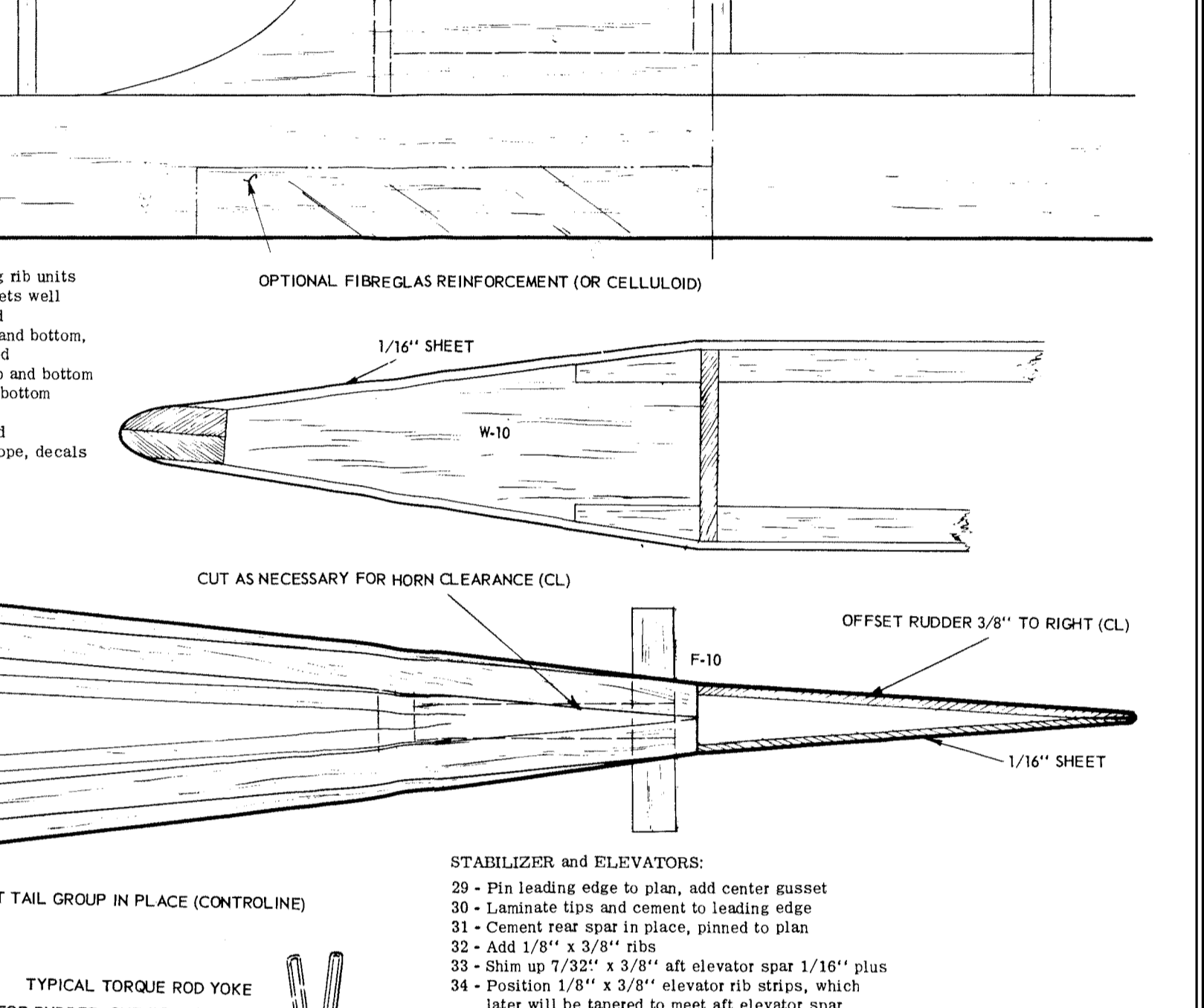
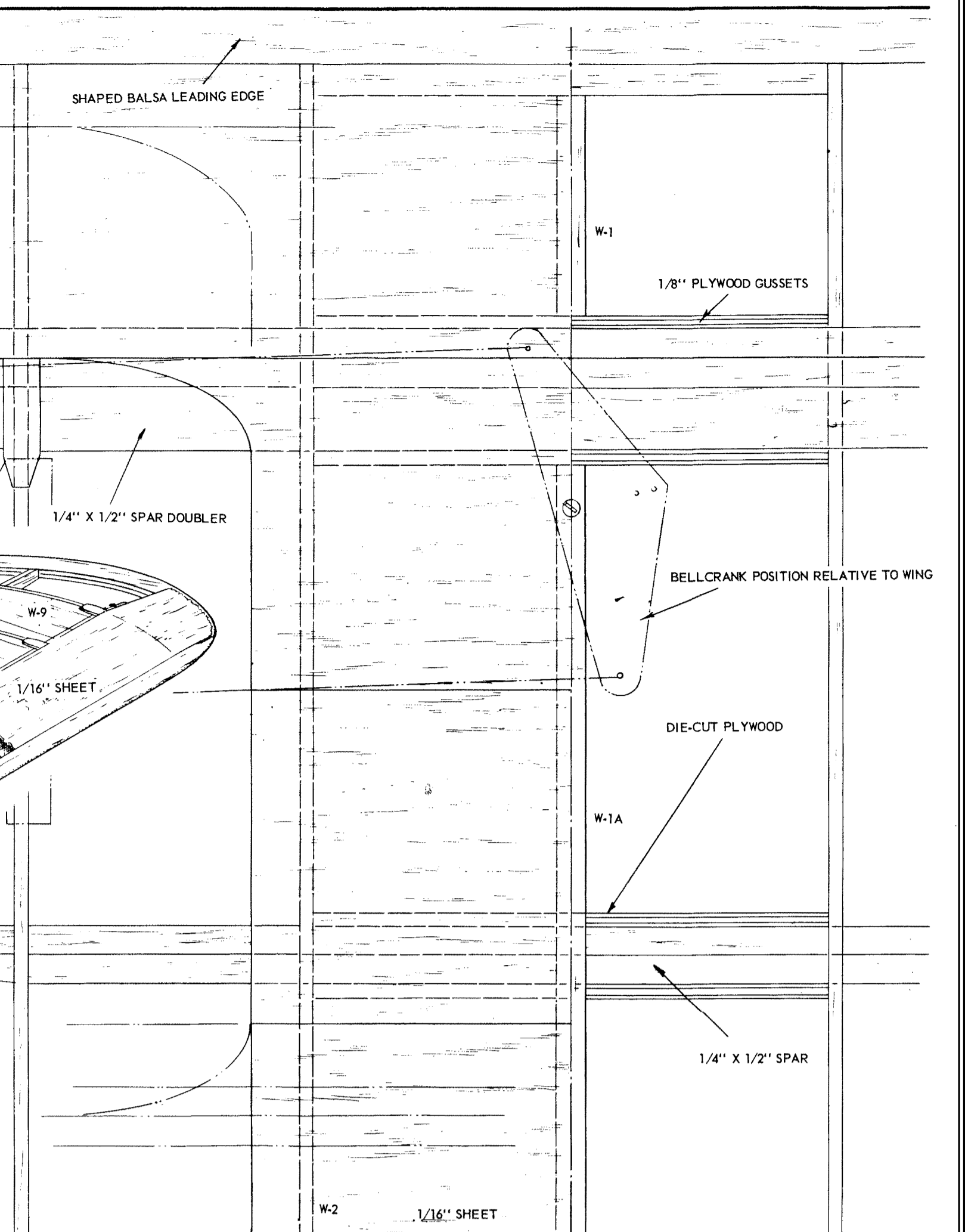
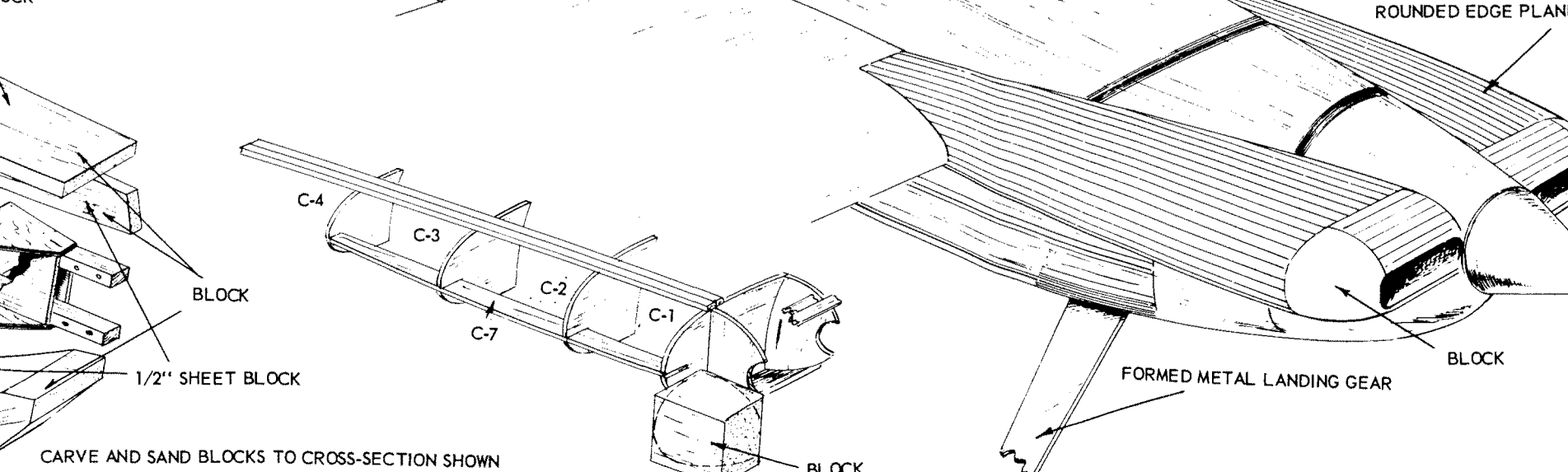
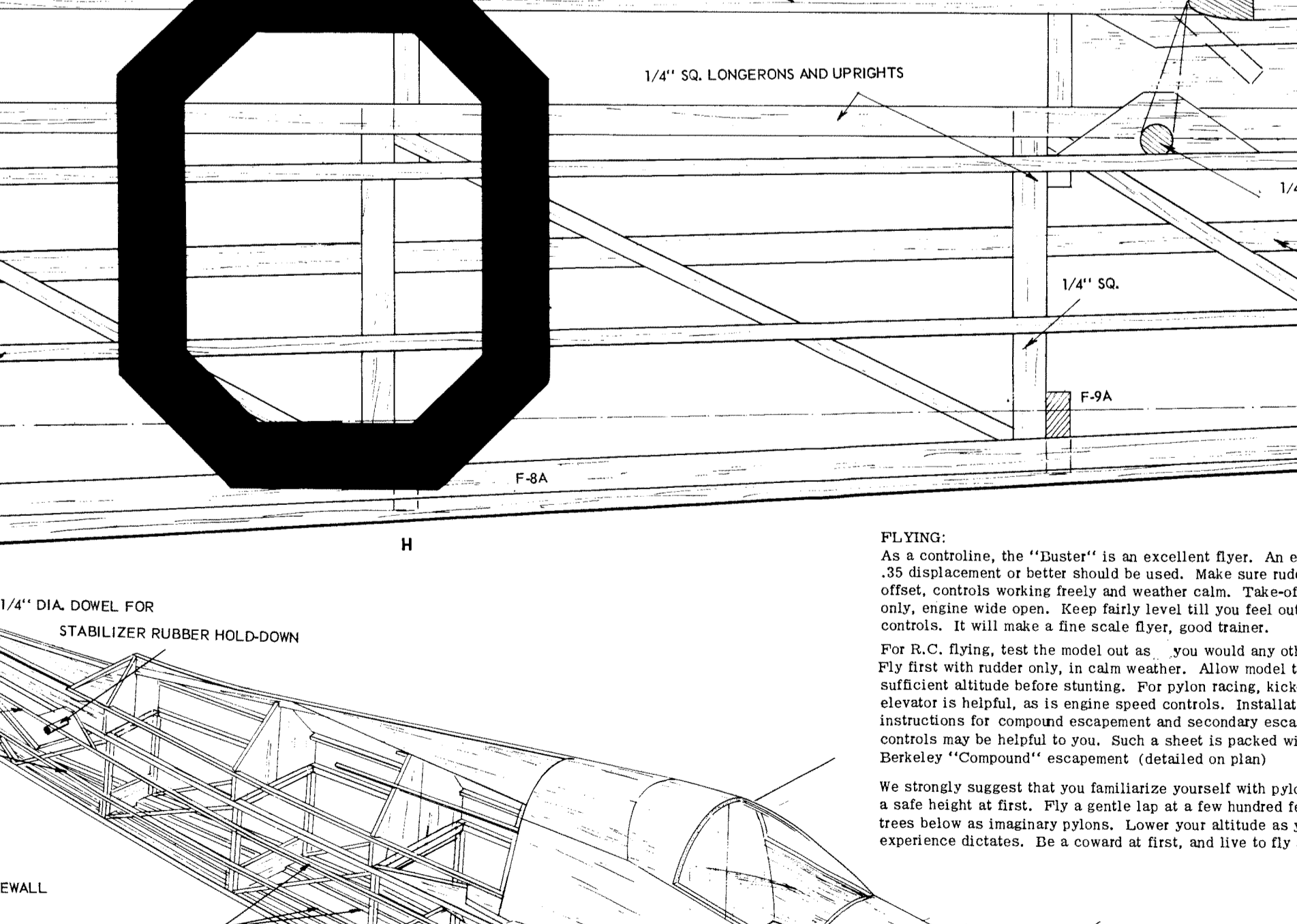
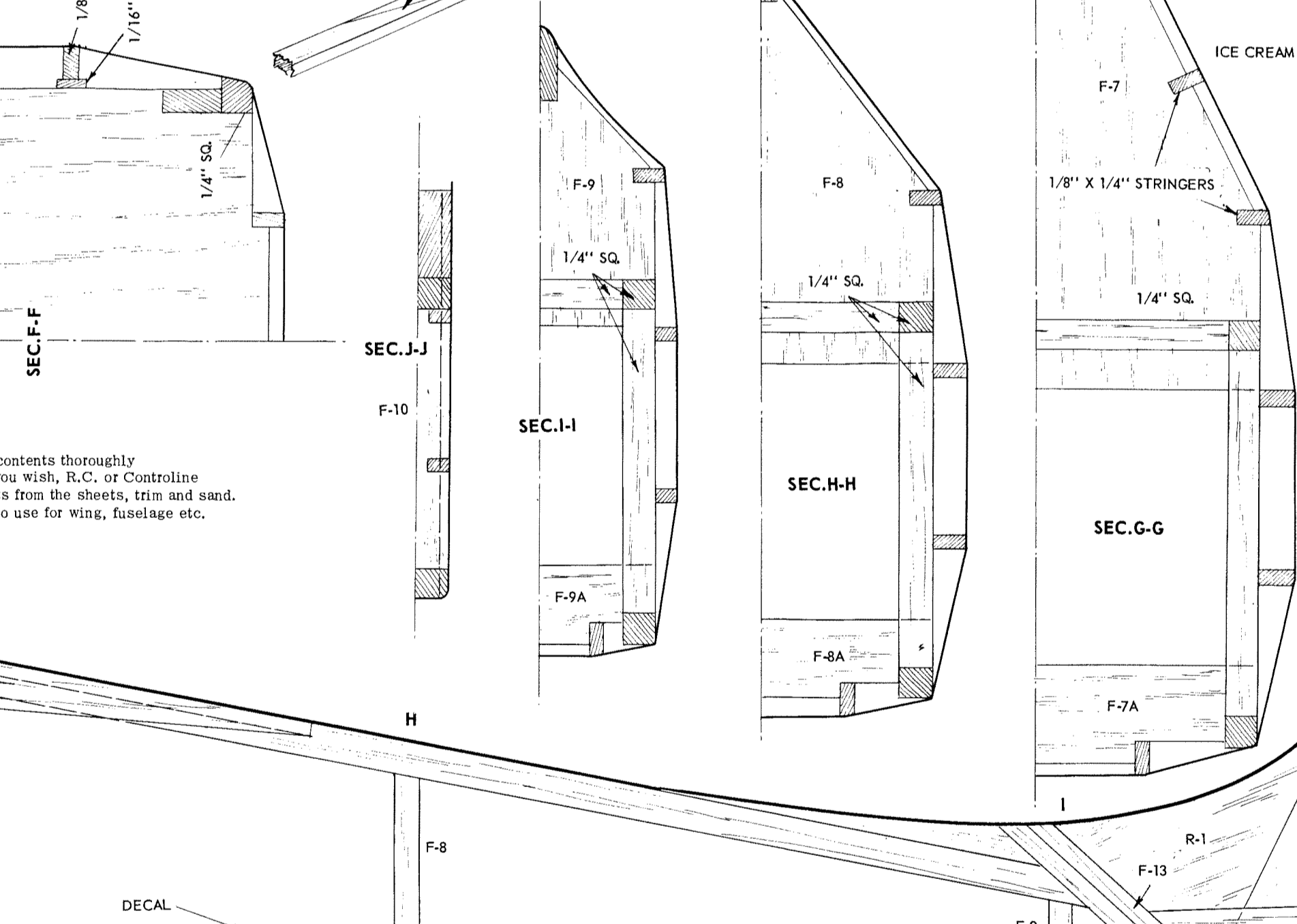
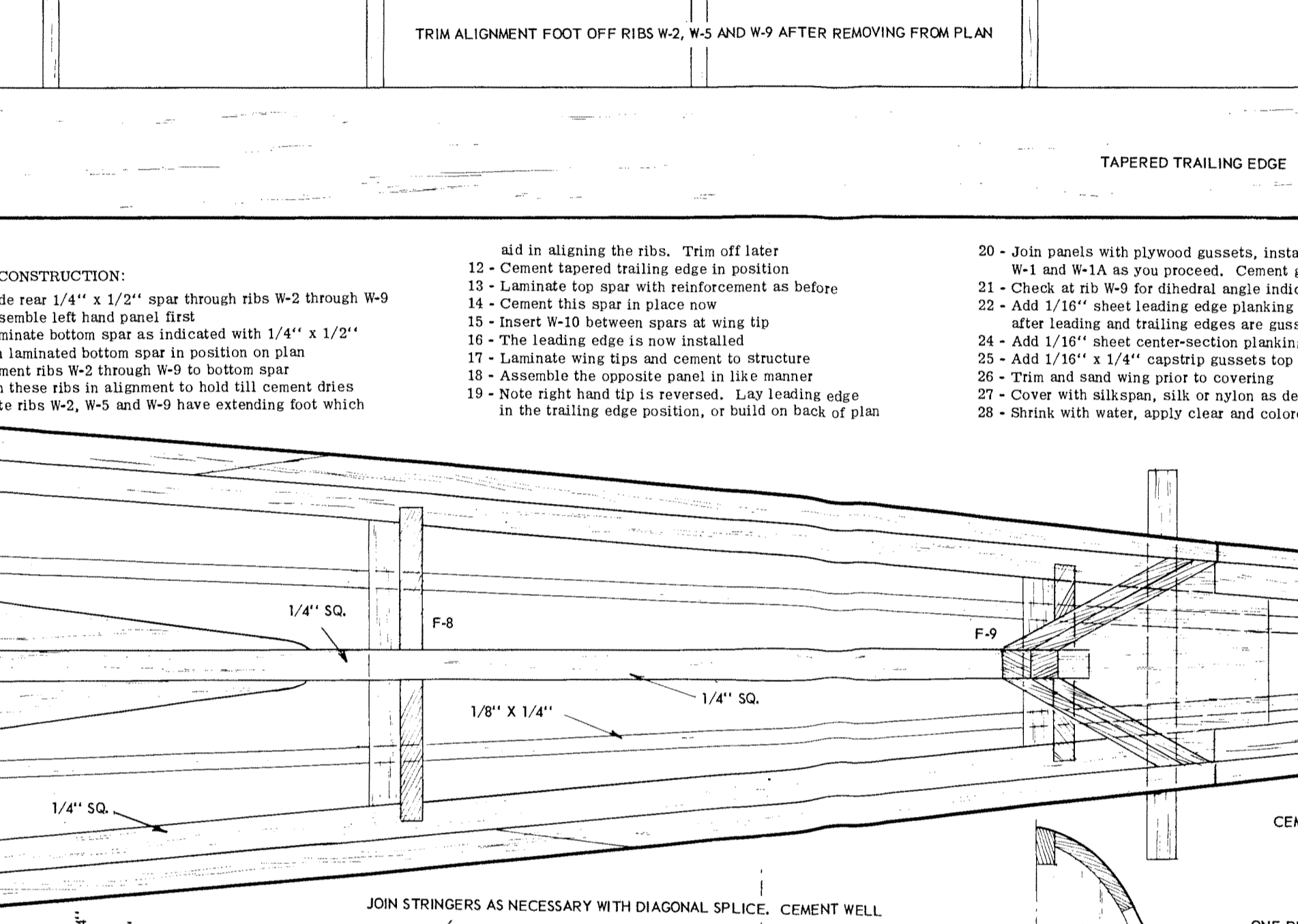
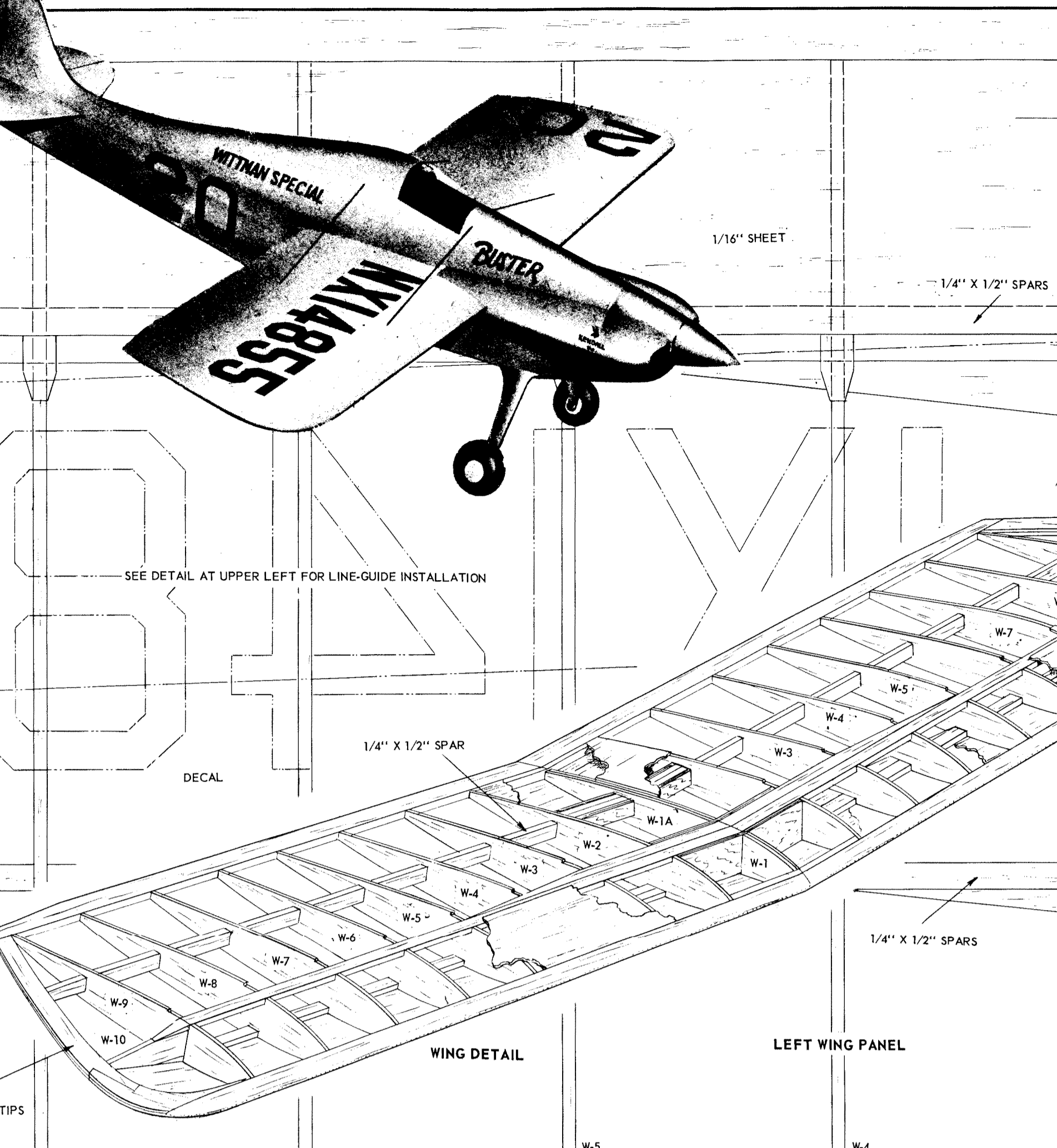
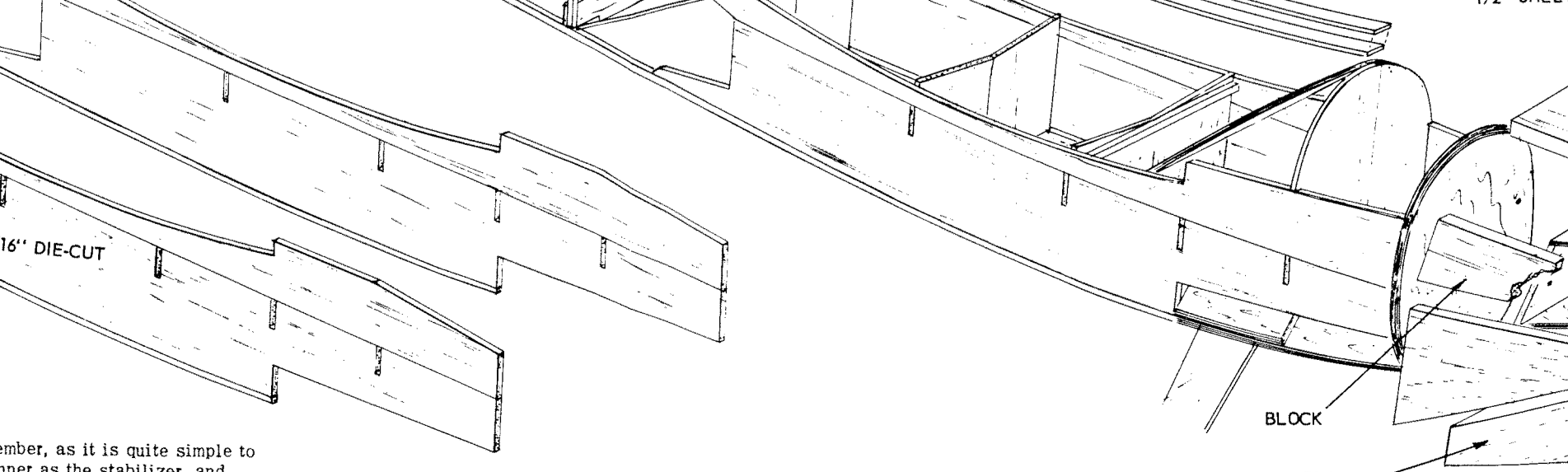
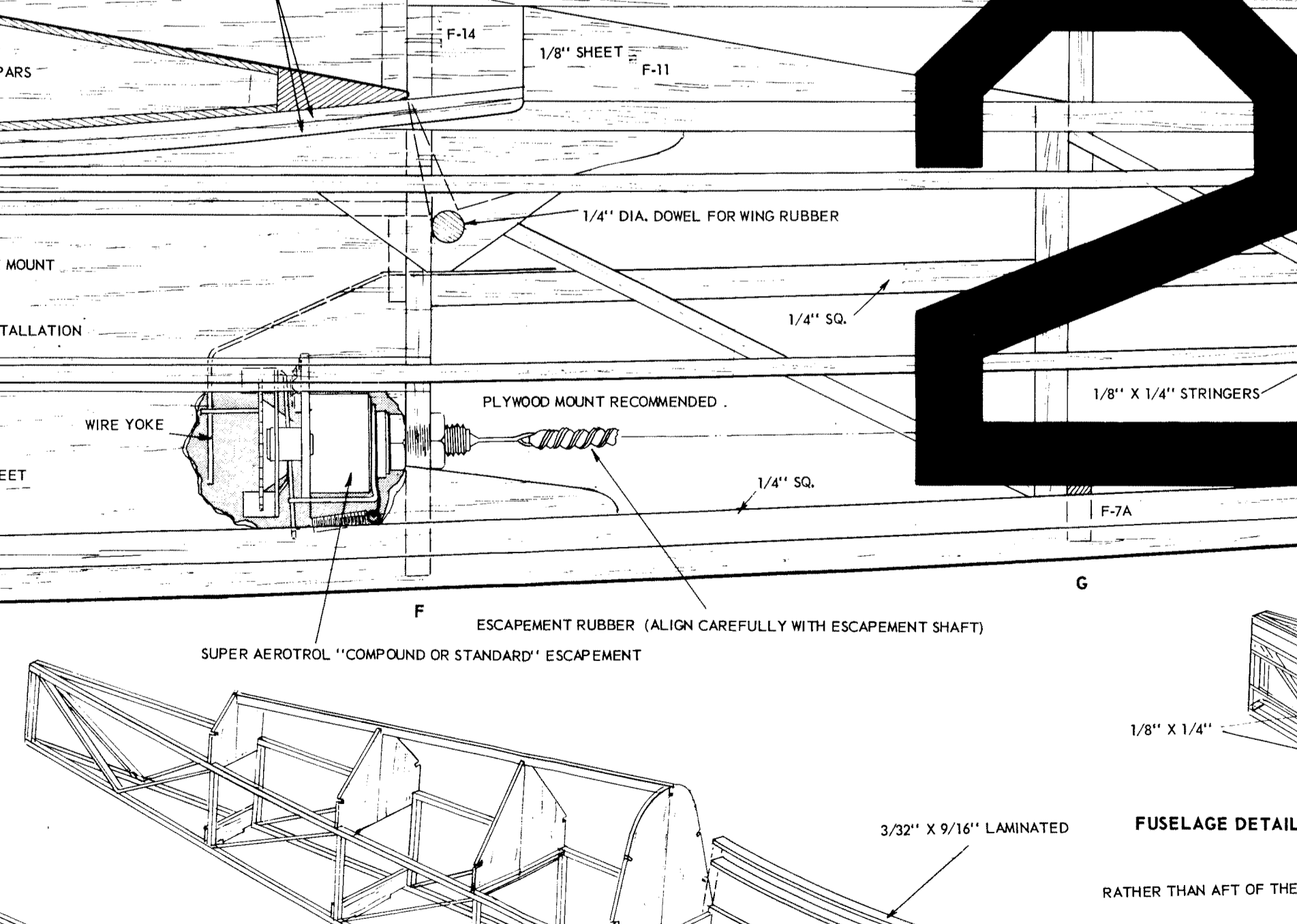
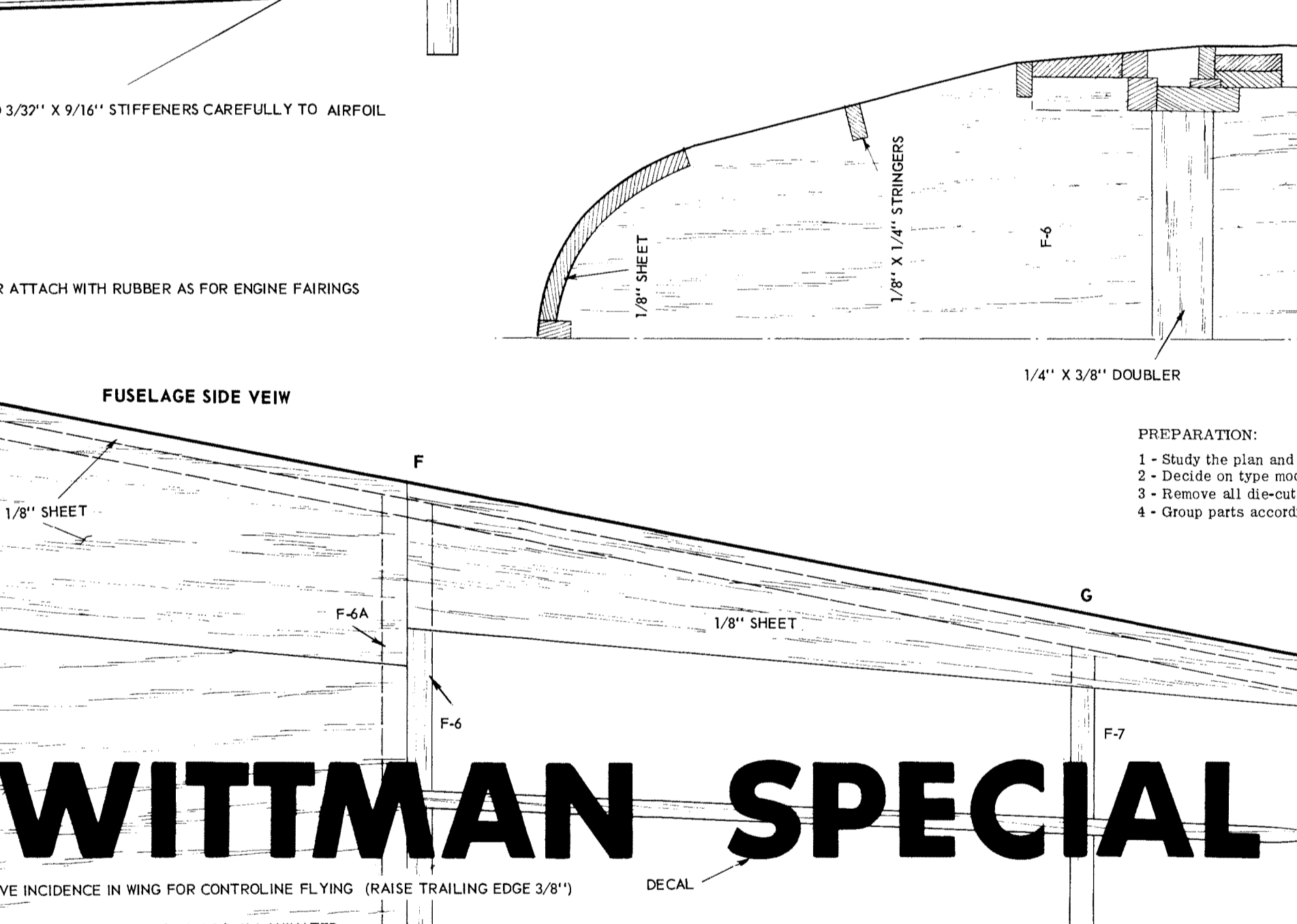
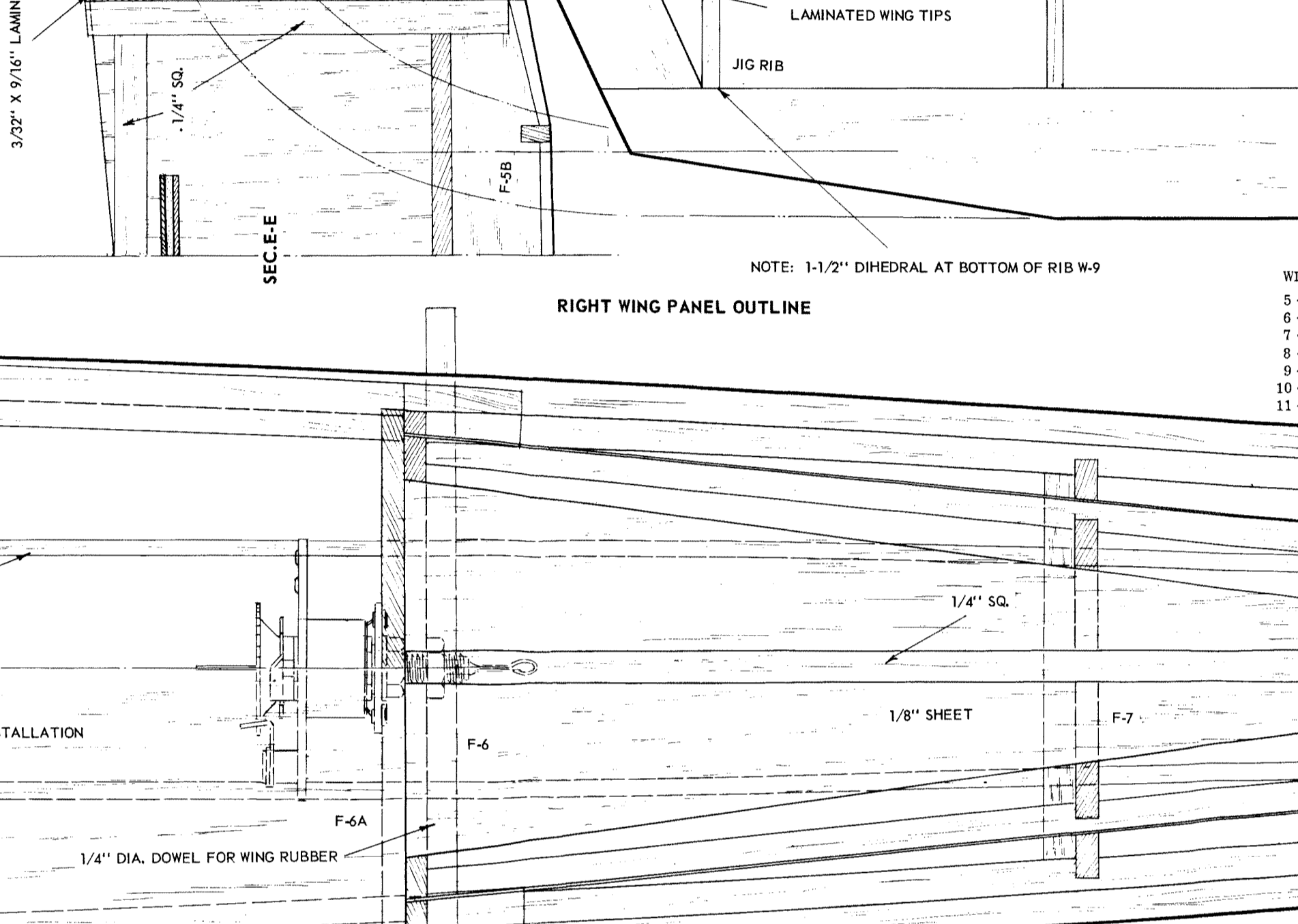
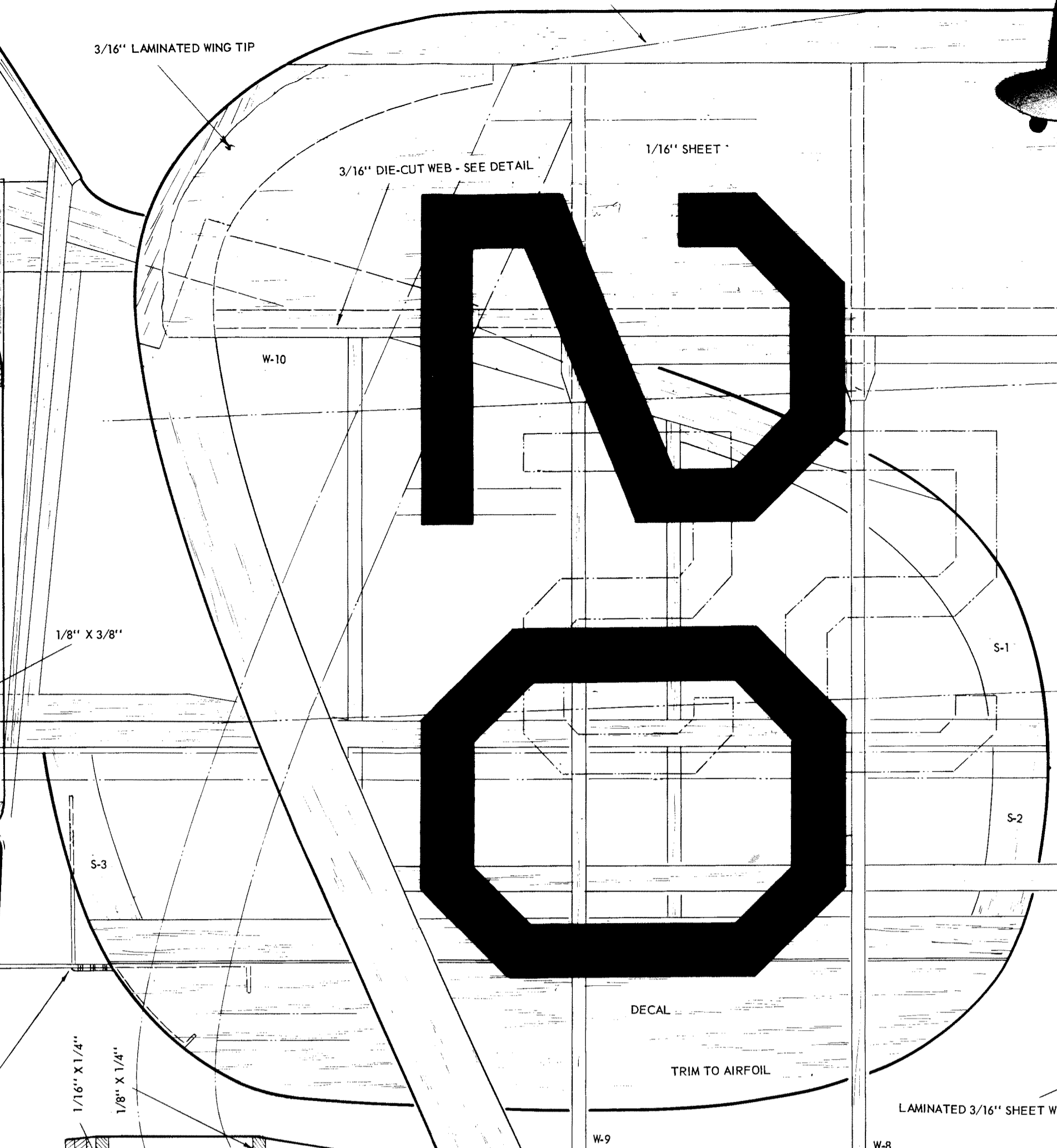
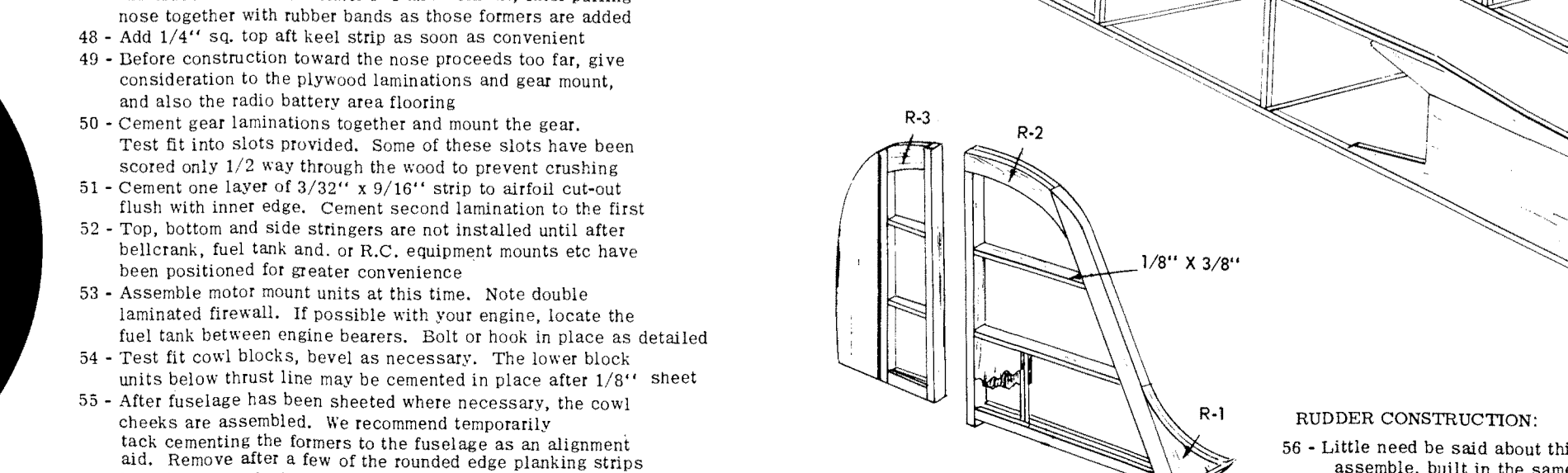
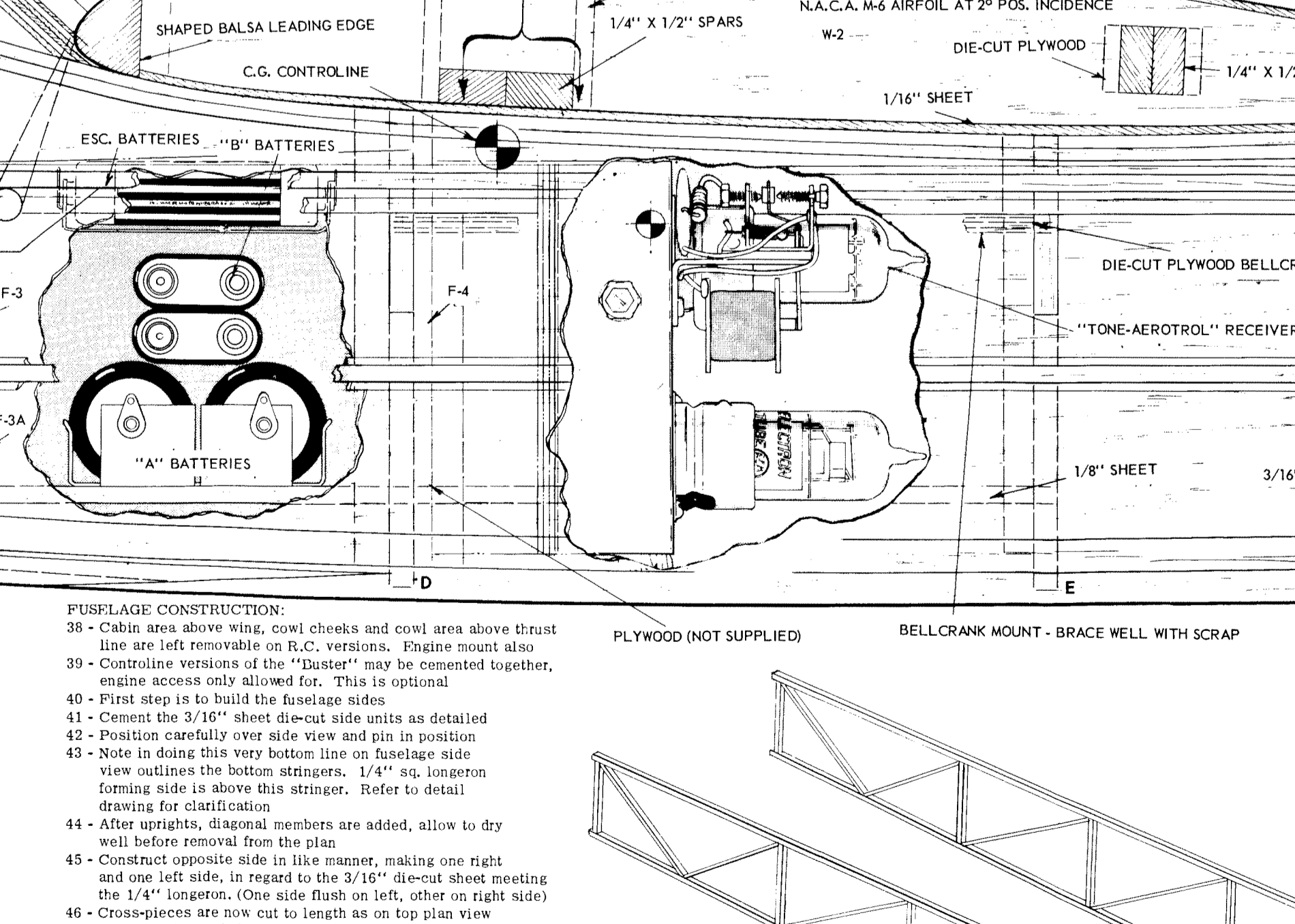
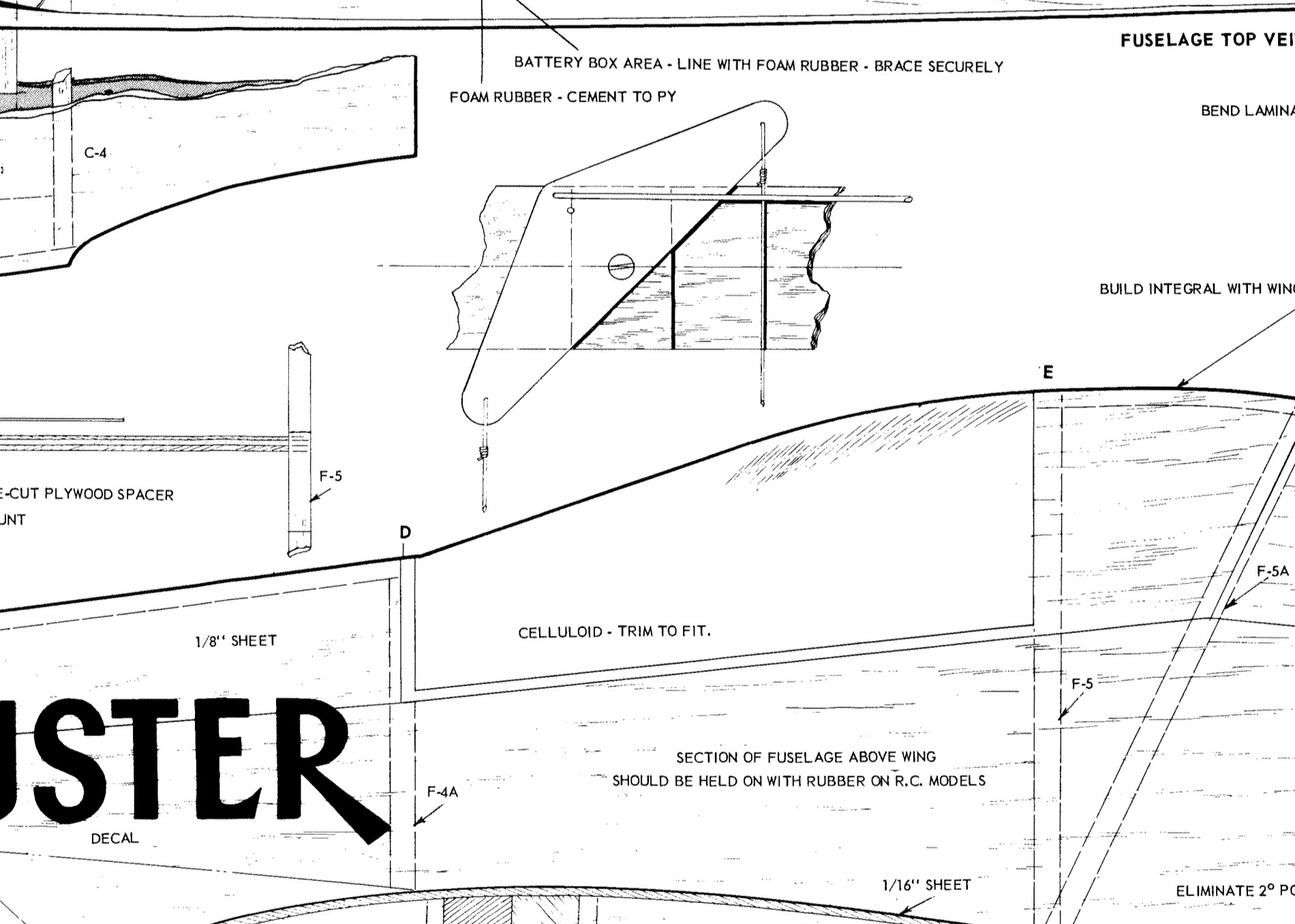
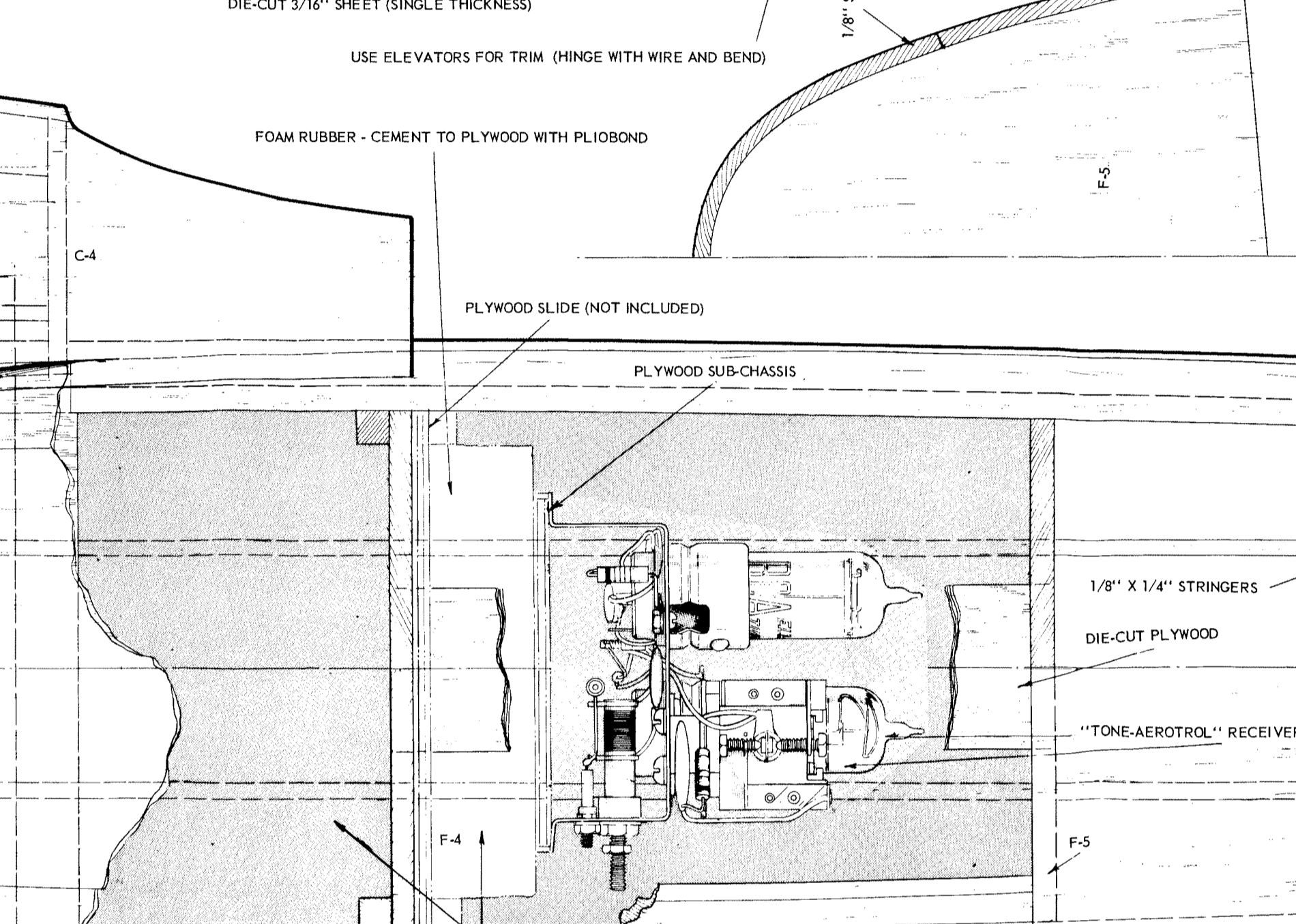
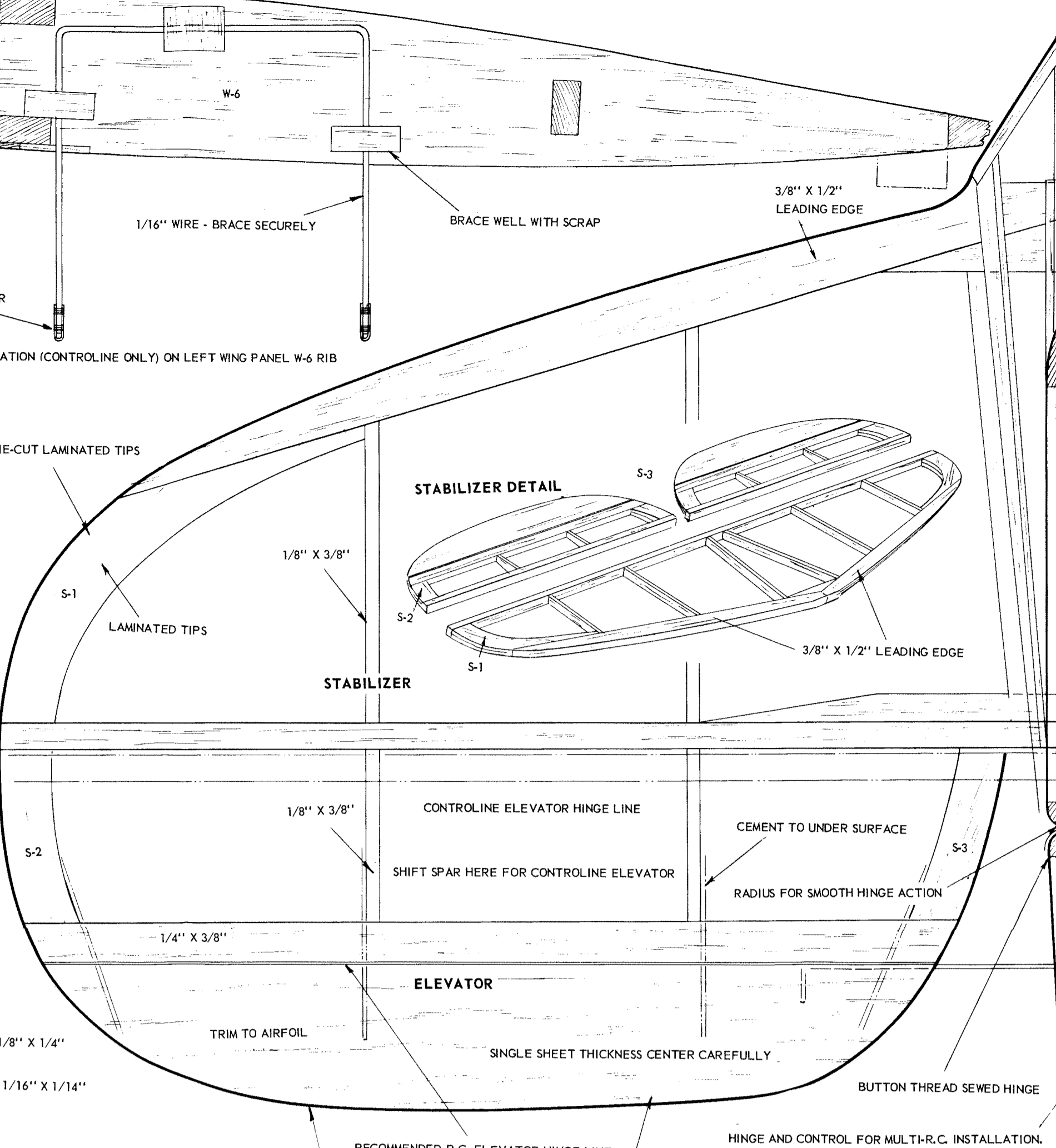
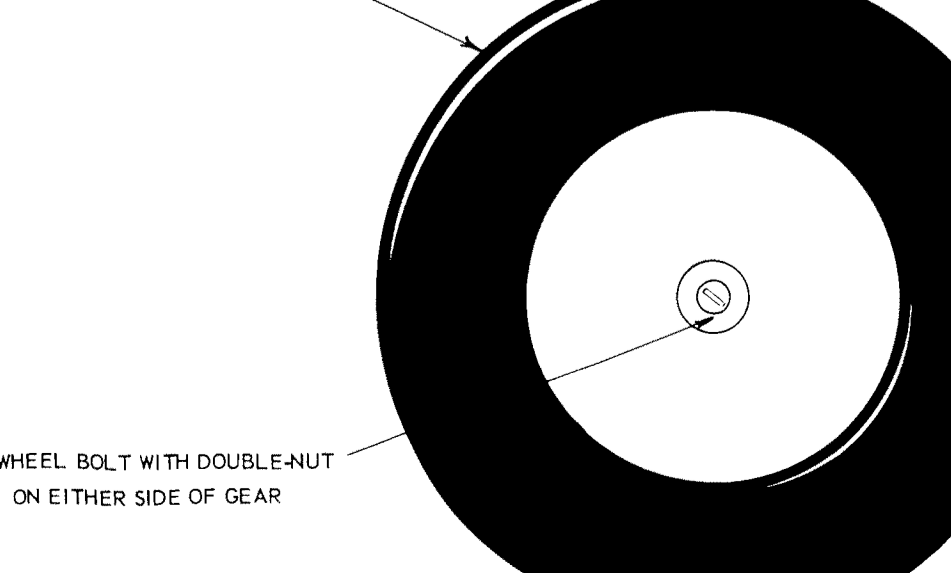
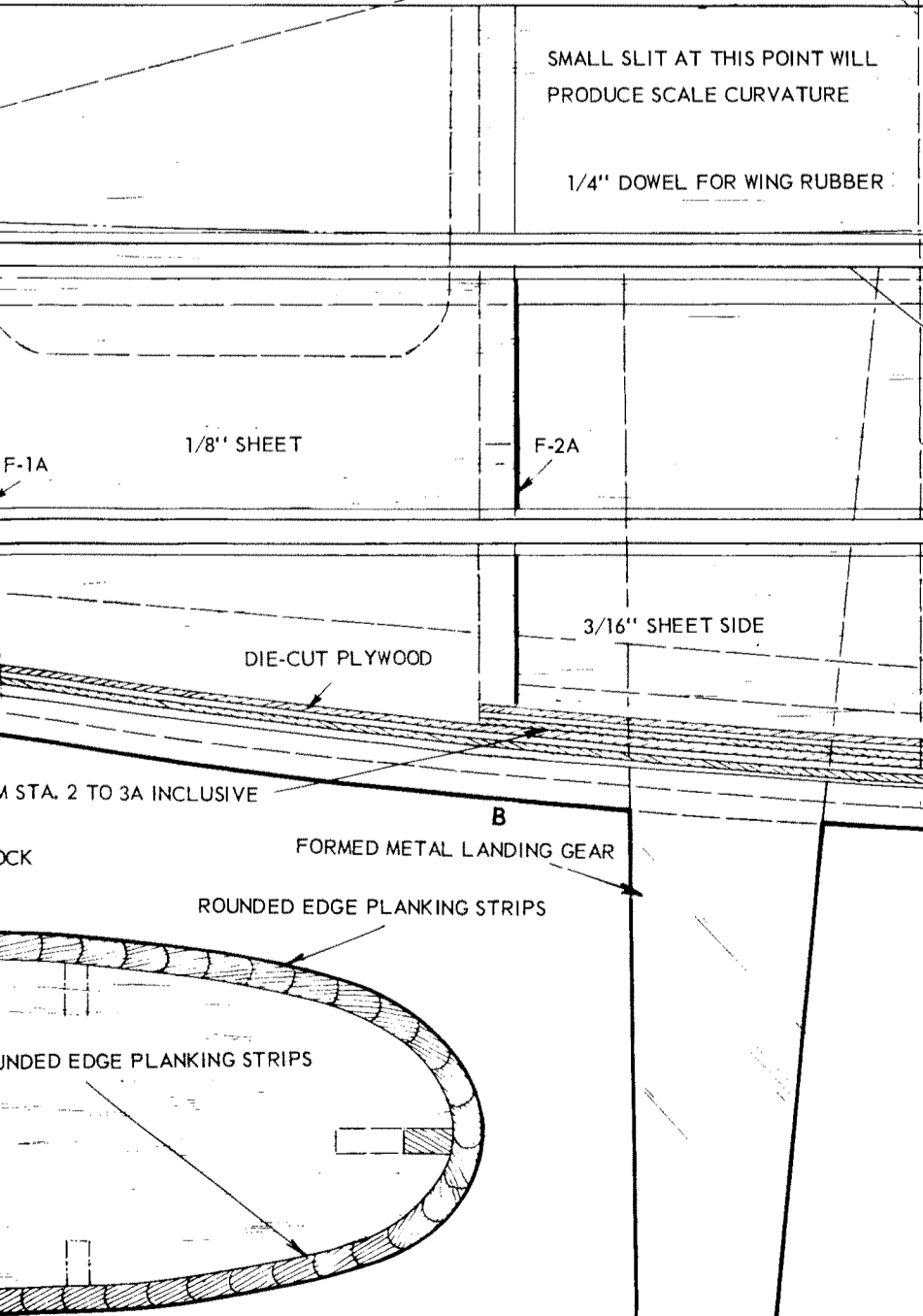
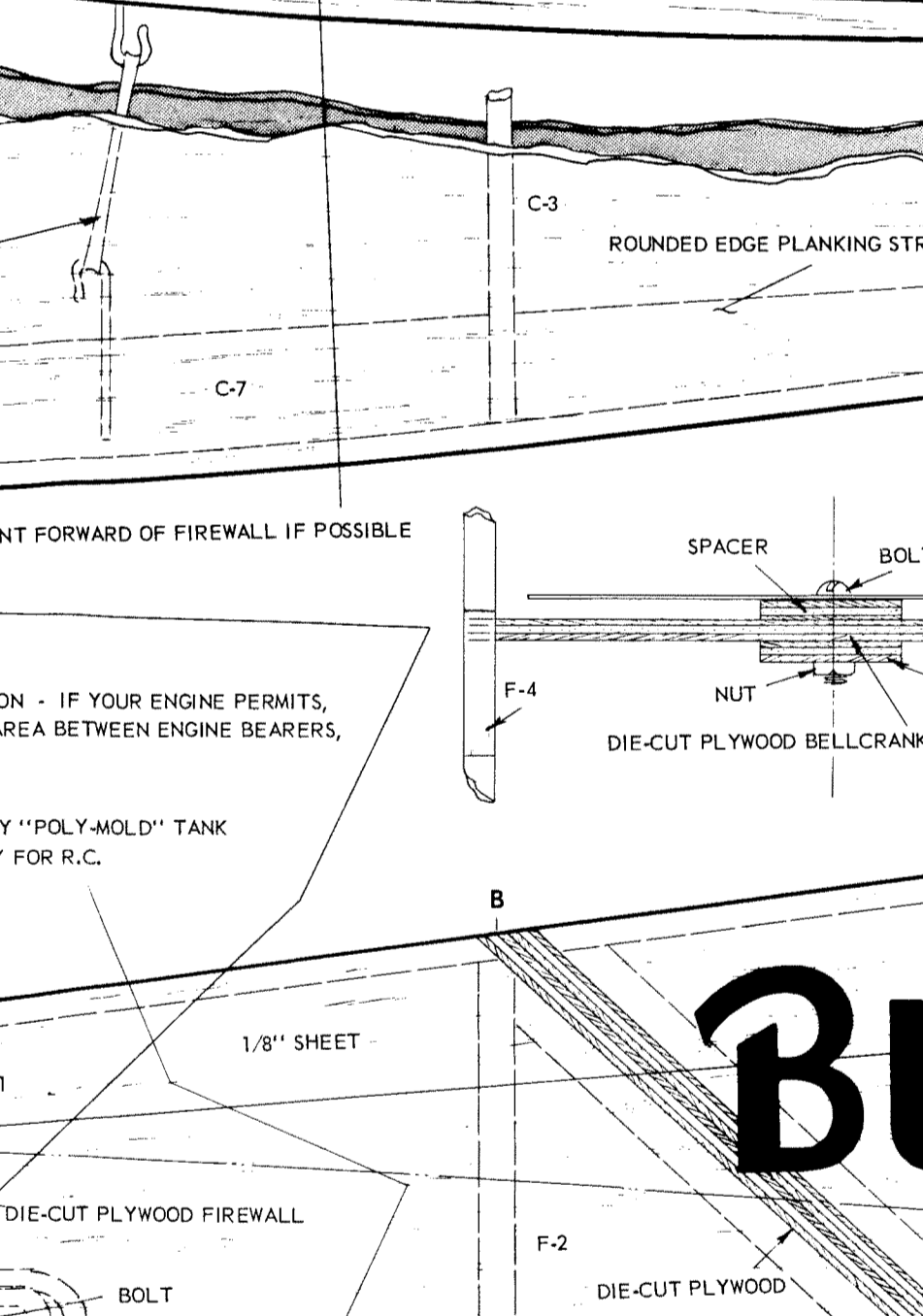
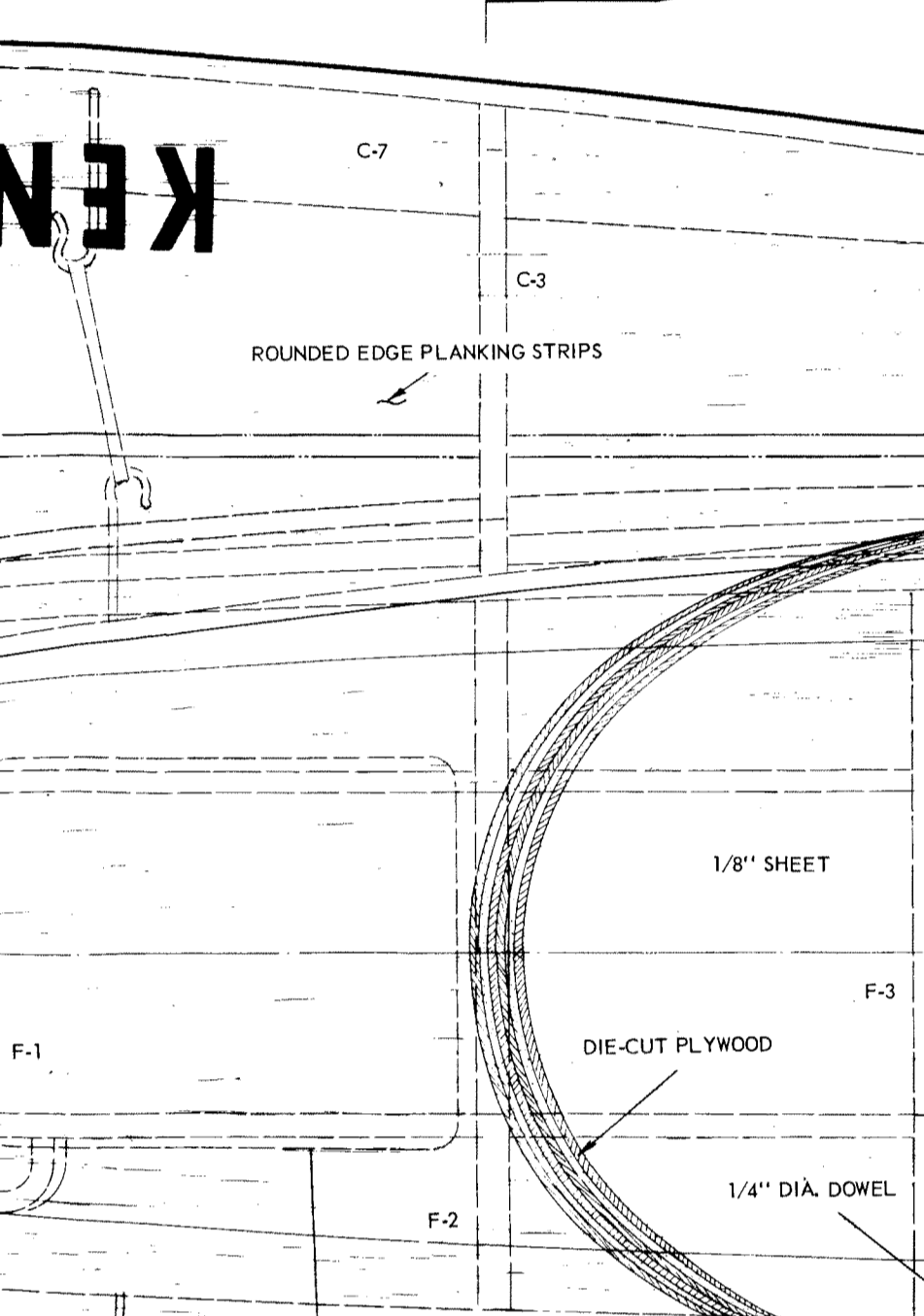
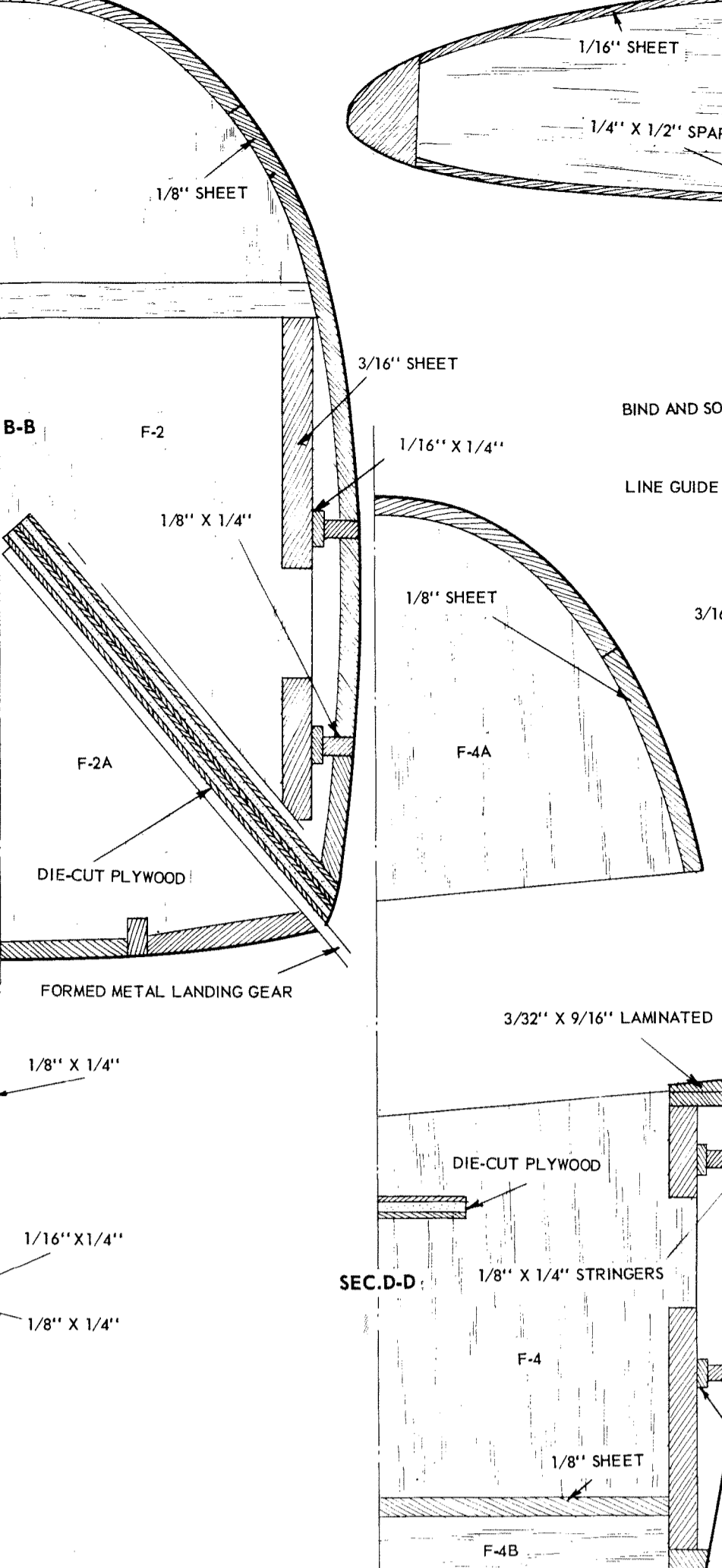
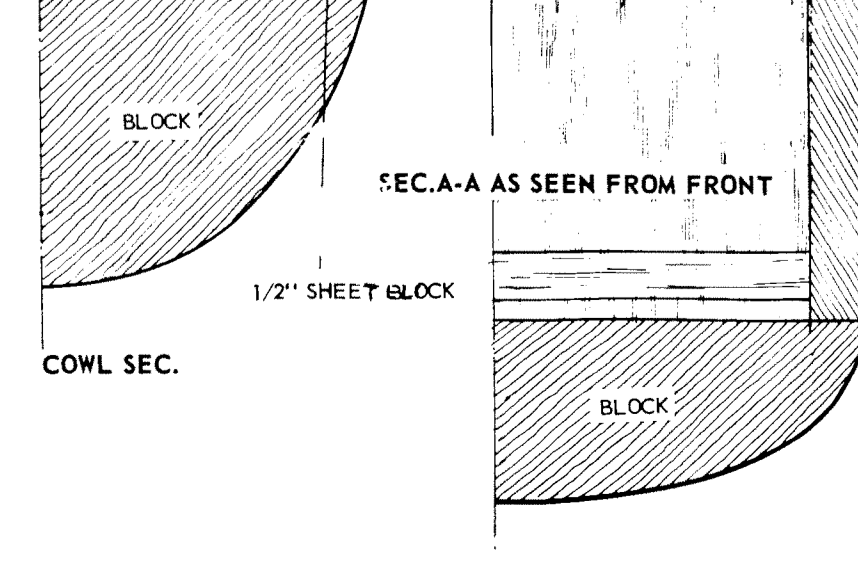
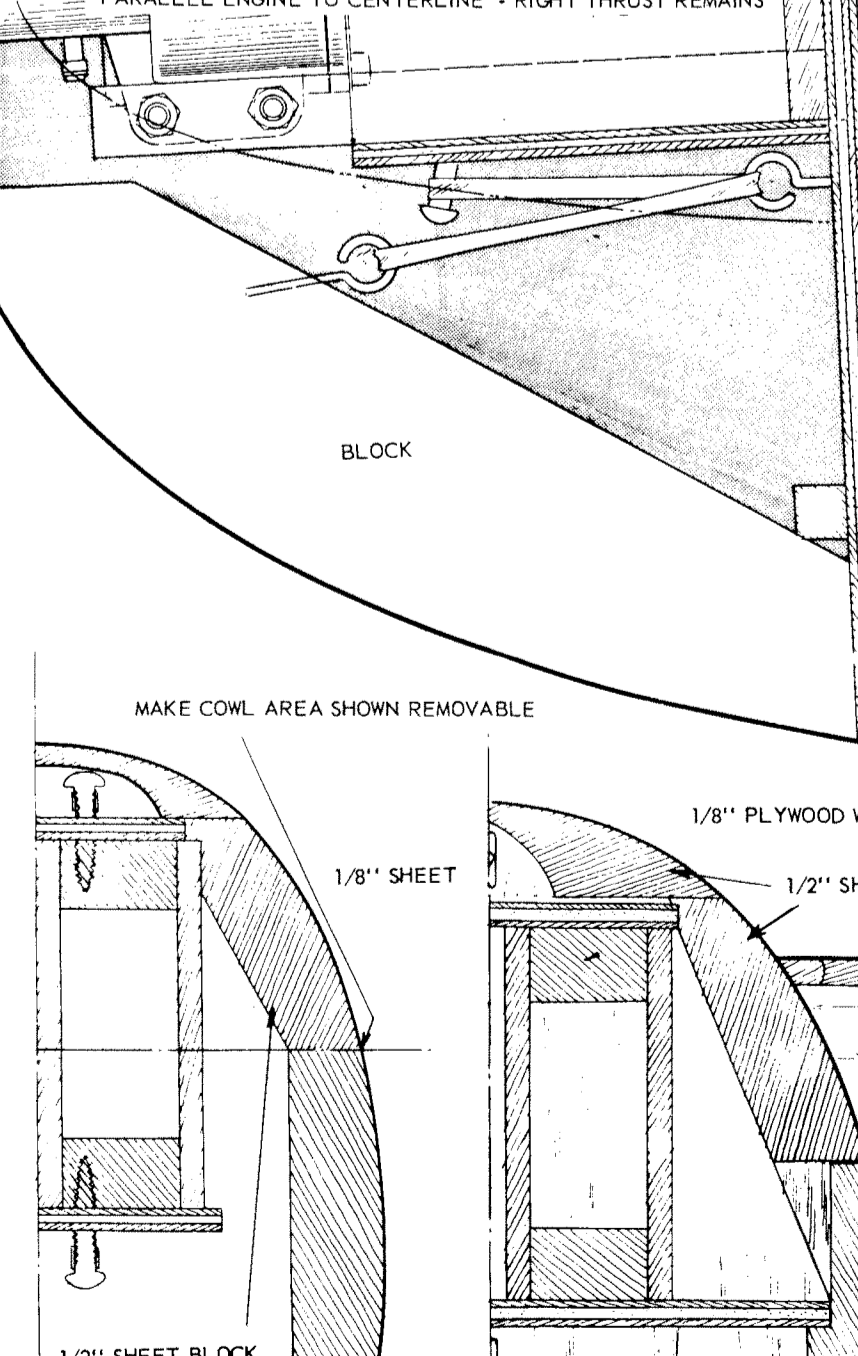
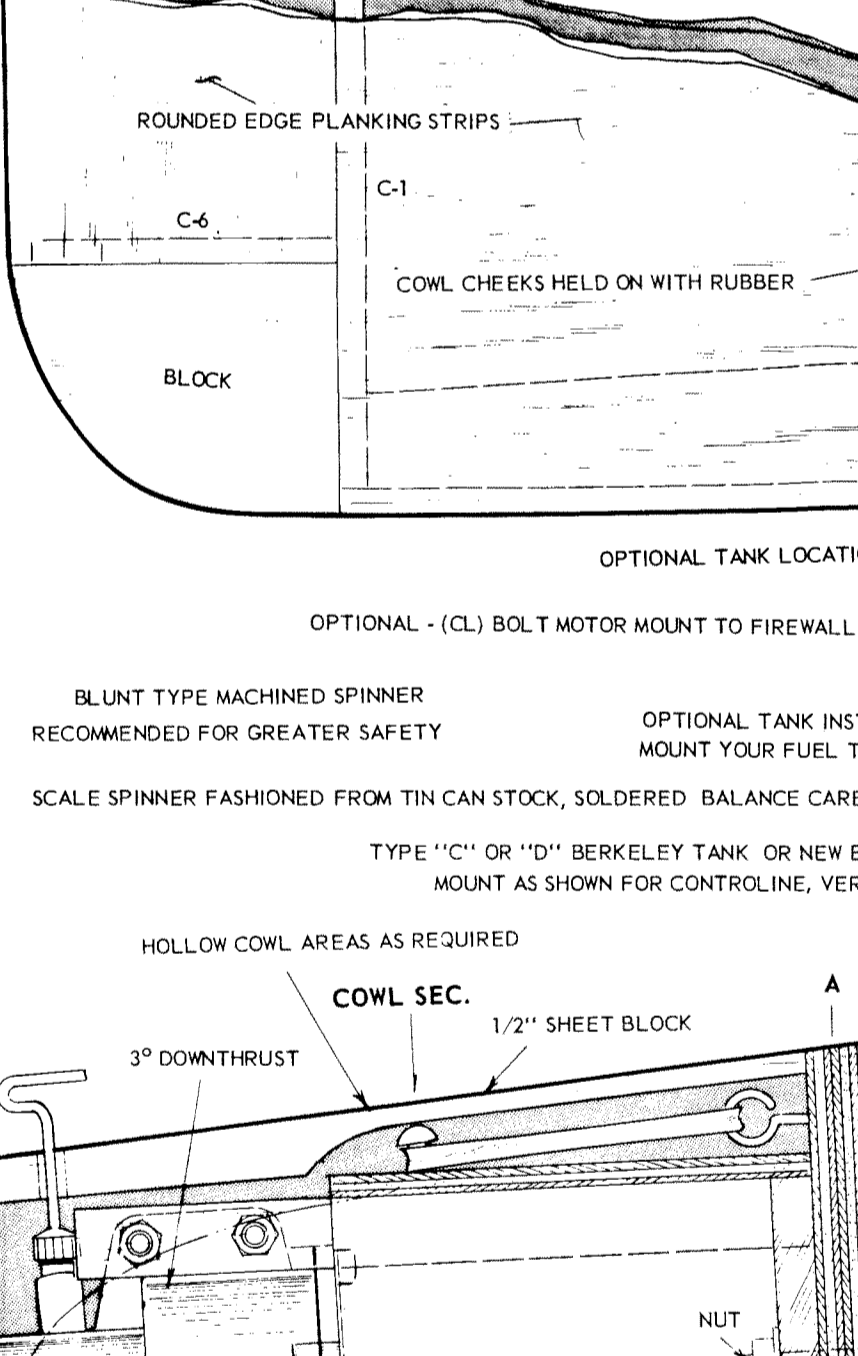
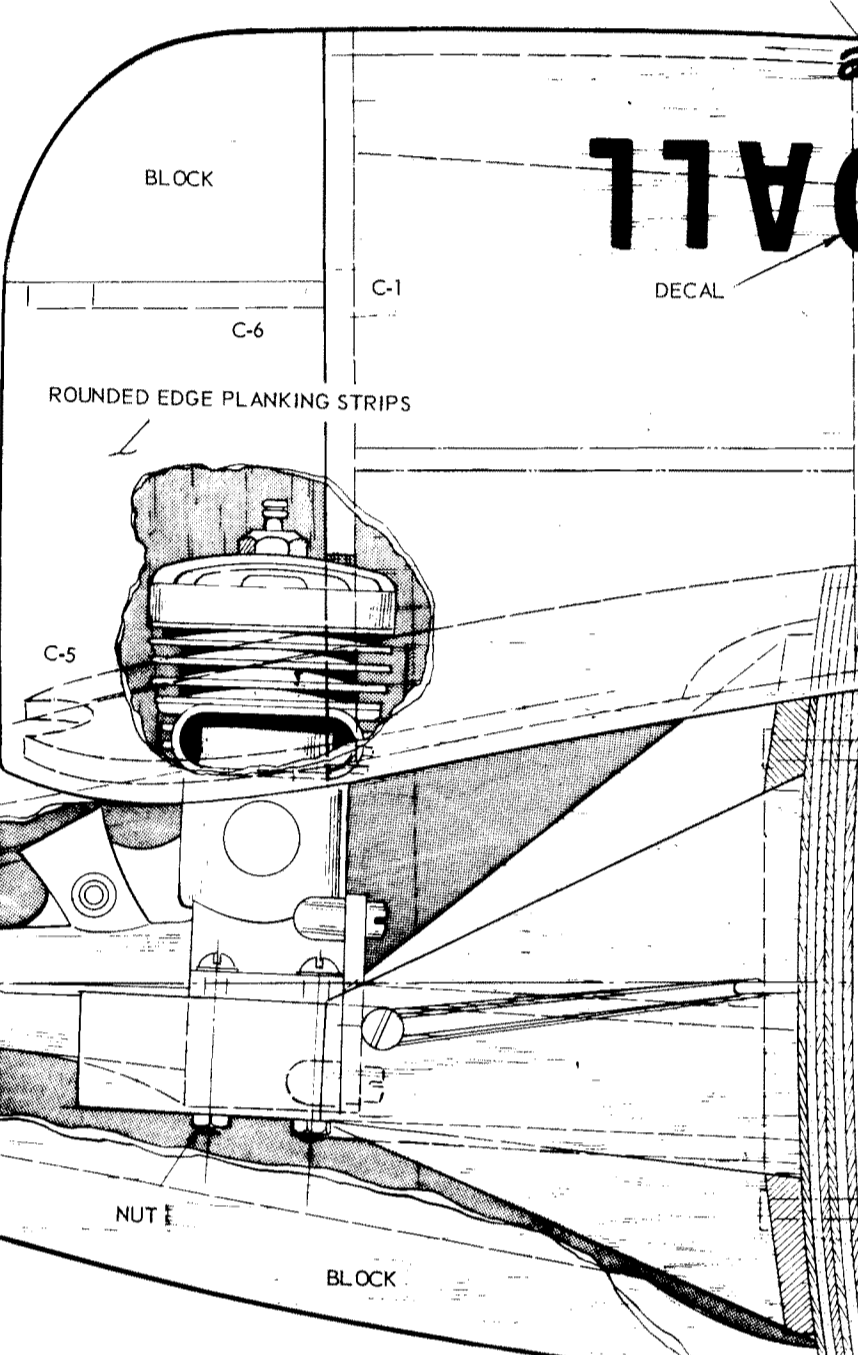
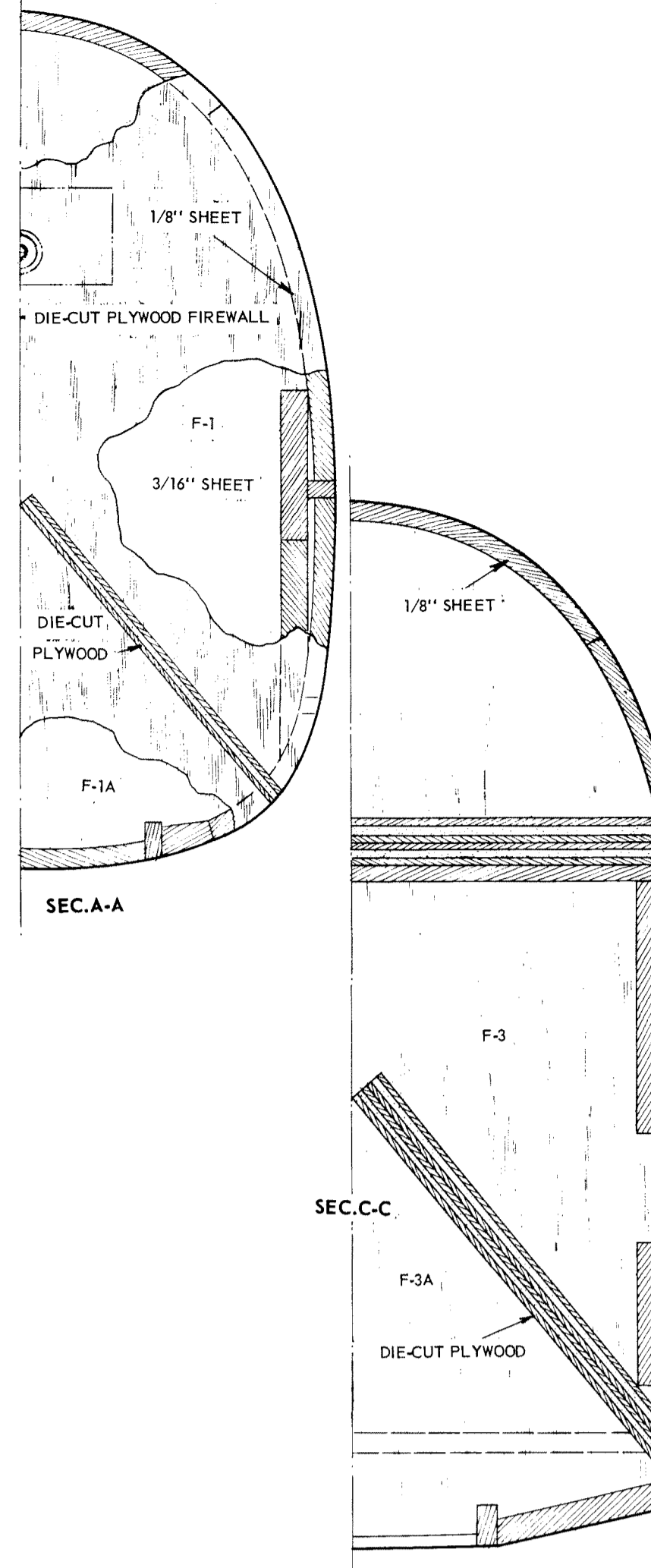
NO

20

BUSTER

WITTMAN SPECIAL

NX14855



KENDALL

BUSTER

WITTMAN SPECIAL

NX14855

STEVE WHITMAN'S
"BUSTER"
 Radio CONTROL Pylon Racing
 or Control Line Flying

DESIGNED BY: HENRY STROCK FOR 15 TO 35 ENGINES 37" W SCALE
 DRAWN BY: DON HODGSON 480" OVERALL LENGTH 13" WING CHORD FULL SIZE PLANS
 KIT ENGINEERED BY: BILL EFFINGER (1/4" SIZE OF REAL PLANS) 48" WINGSPAN
 COPYRIGHT 1978, BERKELEY MODELS, INC. REPRODUCTION FOR RESALE FORBIDDEN.

BERKELEY MODELS INC.,
 WEST HEMPSTEAD, NEW YORK, U.S.A.