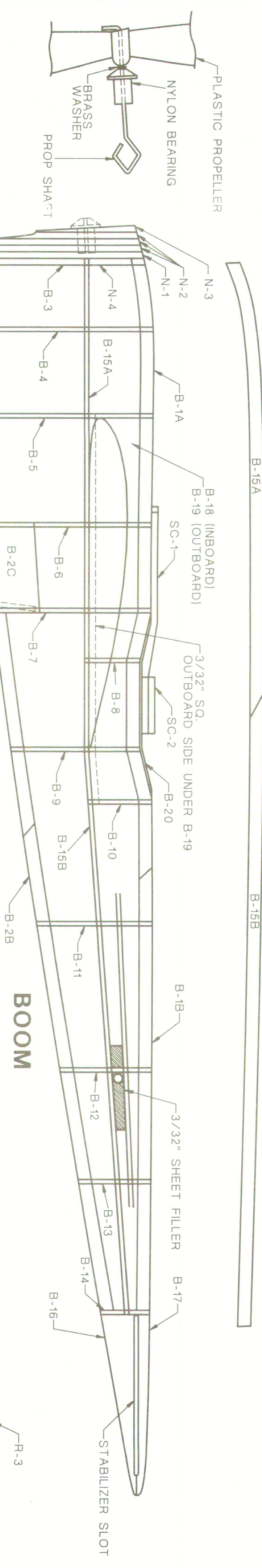
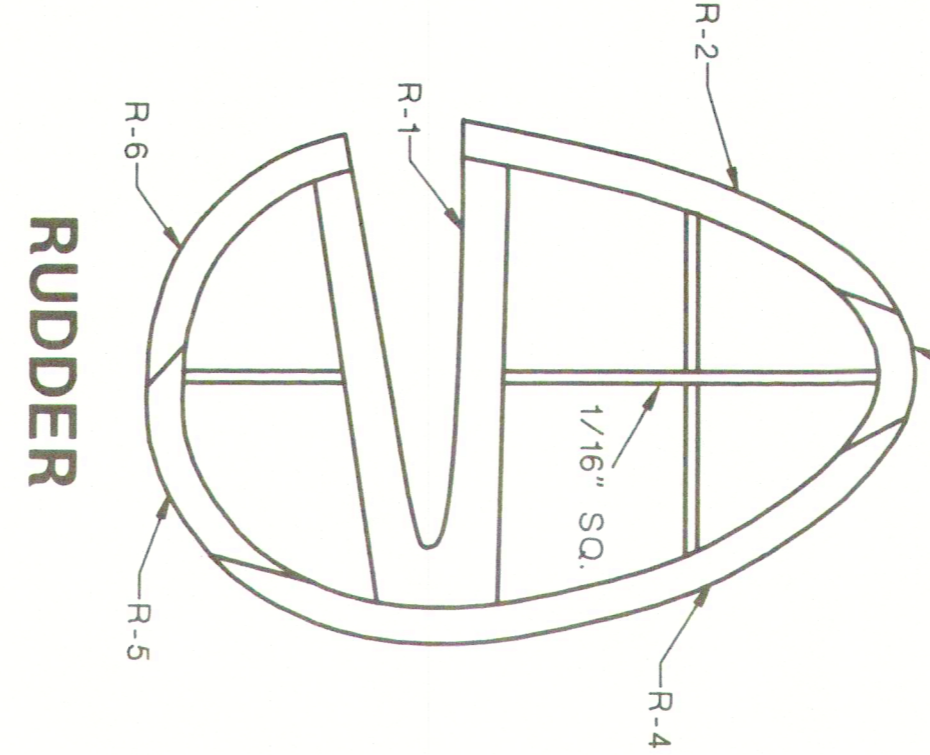


**LEFT WING**

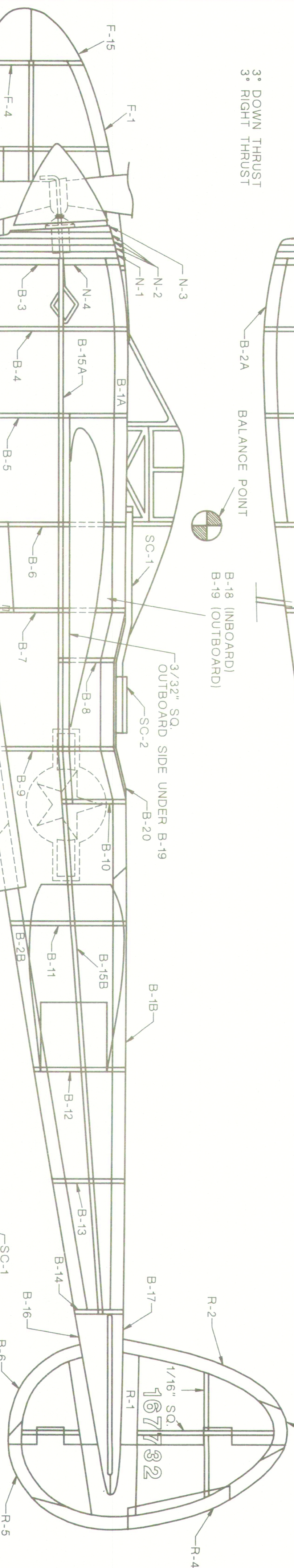
**RIGHT WING**



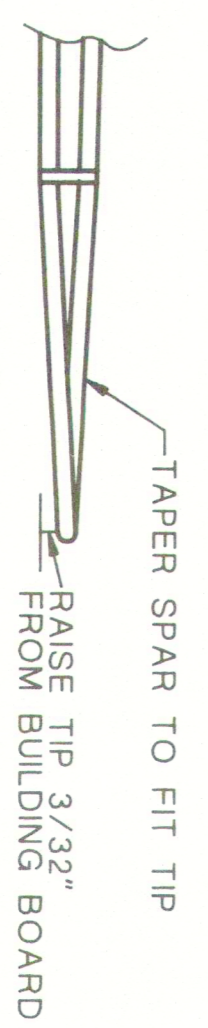
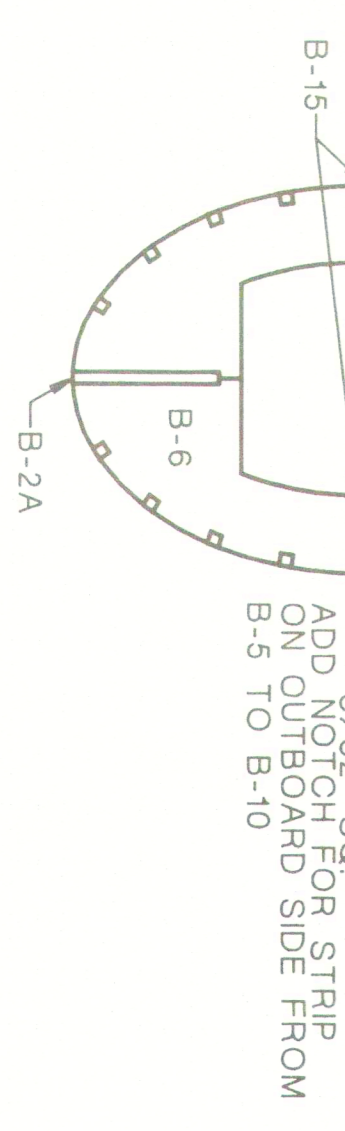
**BOOM**



**RUDDER**



**STABILIZER**



2" DIHEDRAL UNDER ONE WING WITH OTHER WING FLAT ON BUILDING BOARD

**HERR ENGINEERING CORP.**  
AWARD WINNING MODEL DESIGNS  
1431 CHAFFEE DR., SUITE 3  
TITUSVILLE, FL. 32780  
(407) 264-2488

THE **P-38 LIGHTNING** KIT #115  
30" WINGSPAN RUBBER POWERED MODEL  
DESIGNED BY: TOM HERR 6-30-97  
© 1997 HERR ENGINEERING CORP. PL-015-A